



ORJ 2020-21 PRODUCT CATALOG



微信 WeChat



Web

浙江欧锐杰照明科技有限公司
ZHEJIANG OURUIJIELIGHTING TECHNOLOGY CO.,LTD.

ADD : 浙江省湖州市广源路328号3栋
Building 3 No. 328 Guangyuan Road, Huzhou, Zhejiang,China
TEL : +86-572-2671188
FAX : +86-572-2671800
E-mail : orj@orjlight.com

浙江欧锐杰照明科技有限公司
ZHEJIANG OURUIJIELIGHTING TECHNOLOGY CO.,LTD.



公司愿景: 创新照明+改变城市

Vision: Innovative Lighting, Change the City

公司使命: 提供有创新力的照明产品, 为用户创造更大价值

Mission: Provide innovative lighting products ,to create greater value for users

公司定位: 专注户外LED建筑与景观照明产品, 专注高端定制

Positioning: Focus on outdoor LED landscape lighting products,focus on high-end customization

公司精神: 创新、高效、诚信、严谨、坚韧

Spirit: Innovation. Efficient. Integrity. Rigorous. Tenacity

创新 INNOVATION

创新源于公司对照明深刻的认知和理解，丰富经验的累积与时俱进的理念是企业创新动力的源泉。

We get together based on common cause and common pursuit which offers master service.

诚信 INTEGRITY

脚踏实地、实事求是 是欧锐杰人对待工作的方式，也是安全、高质、高效生产的保障。

Down-to-earth spirit, be practical and realistic was considered as our working manner that ensures our team working in efficient.

严谨 RIGOROUS

细致、周全、完善，追求完美是欧锐杰人对待工作的态度，慎而思之，勤而行之。

Hard work and dedication was considered as our ethical basis because we love lighting industry.

坚韧 TENACITY

面对困难与压力，以坚强的信心与勇气解决问题；欧锐杰人以一种吃苦耐劳的精神面对一切困难。

In the face of difficulties and pressure, with strong confidence and courage to solve the problem; ORI a person with a kind of bear hardships and stand hard work spirit of facing all difficulties.

高效 EFFICIENT

丰富的经验和高效能的管理方式，为客户提供快速、满意的服务是我们的服务宗旨。

ORI integrates members' experience and management methods to obtain high quality, high efficiency products. Providing customers with fast and satisfy service is our service tenet.



资深照明技术团队
Experienced Lighting Technical Team

多项核心技术专利
Plenty of Core Technology & Patents Owned

专注户外建筑景观照明产品
Focus On Outdoor Landscape Lighting Products

专业高端定制
Professional high-end Customization

欧锐杰简介

浙江欧锐杰照明科技有限公司是一家创新研发企业 公司位于长三角腹地浙江省湖州市开发区毗邻上海、杭州、南京；公司为国家高新技术企业拥有一批资深照明技术团队涵盖人机结构、工业设计、微电子、照明光学等多方面的专业高级工程师专业从事照明研发工作至少10年以上；曾参与杭州G20和厦门金砖会议，武汉军运会等重大项目产品设计与应用；行业经验丰富，研发能力强，效率高，开发的产品屡次获得中国照明奖，中国景观照明奖，并获得2018德国红点奖

公司占地面积7000平方，生产基地1000平方，拥有300平方标准实验室，500平方无尘SMT自动贴片生产线，5条灯具生产及老化线，及一系列配套的自动化生产设备。公司专注户外照明产品，拥有50多项核心技术专利，包括户外照明产品的防水结构，高效散热技术，精密光学系统等等，产品采用先进的照明技术与材料，先进的加工工艺技术，推行5S管理体系，ERP管理流程及严苛的产品测试与检验流程，保证了公司产品的高光品质，高质量。

公司秉承着“创新照明改变城市的愿景，与创新、高效、诚信、严谨、坚韧的时代精神，立足能源，聚焦户外照明，致力于成为优秀的专业户外照明解决方案服务商。



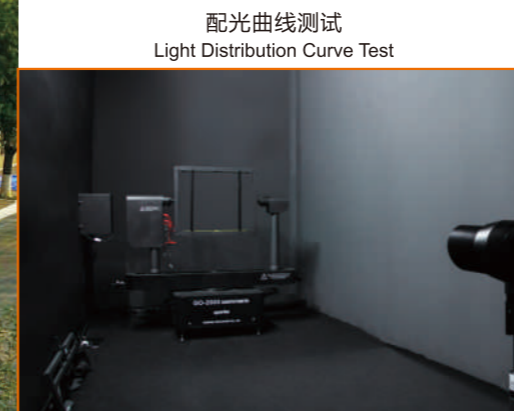
高低温测试
High & Low Temperature Test



光性能测试
Optical Performance Test



电性能测试
Electric Performance Test



配光曲线测试
Light Distribution Curve Test



防水测试
Waterproof Test



安规测试
Safety Test

ABOUT ORJ

Zhejiang Ouruijie Lighting Technology Co., Ltd. is a scientific and technological enterprise innovation research and development, manufacturing, sales and service, the company is located in Huzhou City Development Zone, Zhejiang Province, the Yangtze River Delta hinterland, adjacent to the Shanghai / Hangzhou / Nanjing and convenient transportation.

The company has a group of senior technical team members include lighting, machine structure, industrial design, microelectronics, optical lighting and other aspects of the professional senior engineer, specializing in lighting R & D work ten years; participated in the design and application of major projects and products of World Expo Asian Games, G20, APEC, the Youth Olympic venue; industry experience. R & D ability, high efficiency. Products have won many Chinese lighting awards, Chinese landscape lighting awards and many other awards. Red Dot Award in 2018.

The Ouruijie positioning focus outdoor architectural and landscape lighting products, professional high-end products, can be tailored for the customer design products, accurate, rapid and timely service.

The Ouruijie has a number of core technology patents, including the waterproof structure of outdoor lighting products, efficient cooling technology, precision optical system etc.. The products adopt the most advanced lighting materials and processing technology.

LED 洗墙灯 LED Wall Washer Light

	• LO1A	06
	• LO1C	11
	• LO1E	15
	• LO1F	21

LED 投光灯 LED Projector Light

	• LO2A-B	25
	• LO2A-A	29
	• LO2A-C	32

LED 庭院灯 LED Garden Light

	• LO7A	35
---	---------------------	----

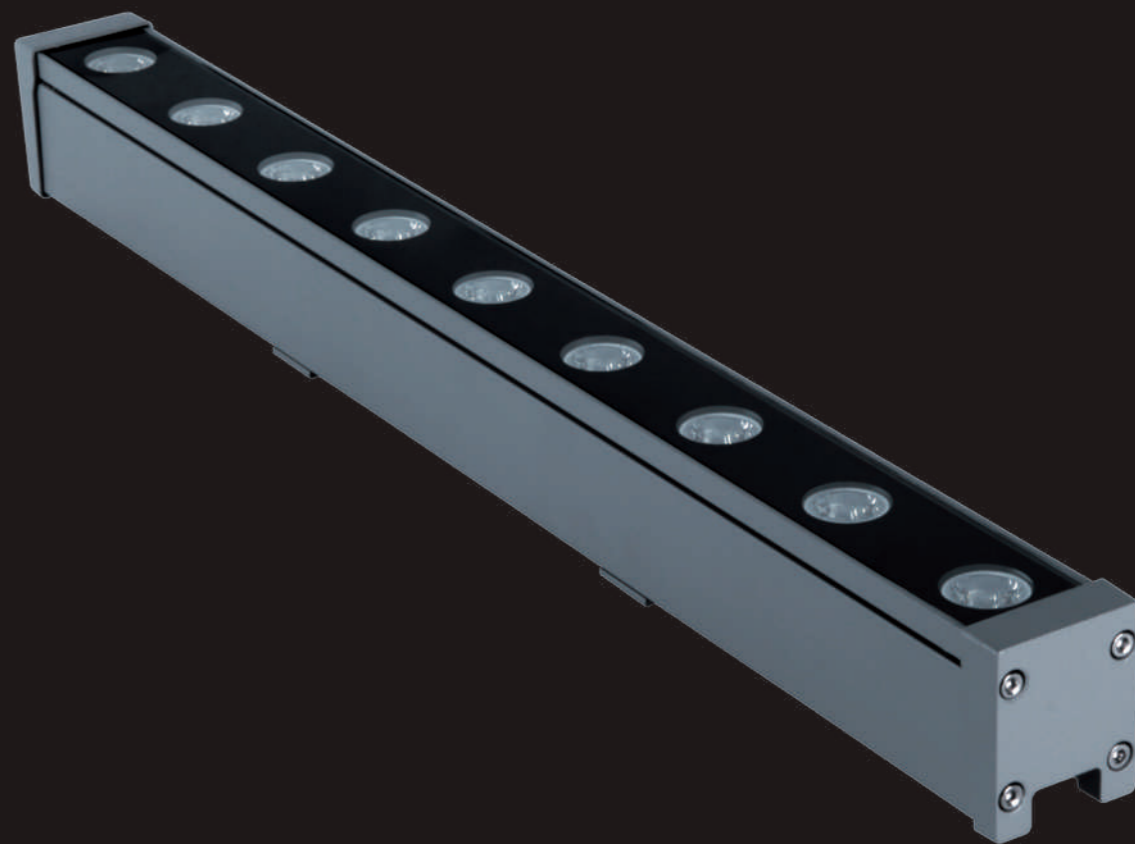
LED 路灯 LED Street Light

	• LO5A	52
	• LO5B	58

LED 控制器 LED Controller

	• 主控	62
	• 分控	65

工程案例 Engineering Case



L01A



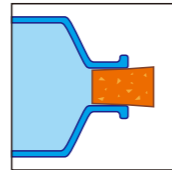
Li-LINE 力朗

LED wall washer light
LED洗墙灯

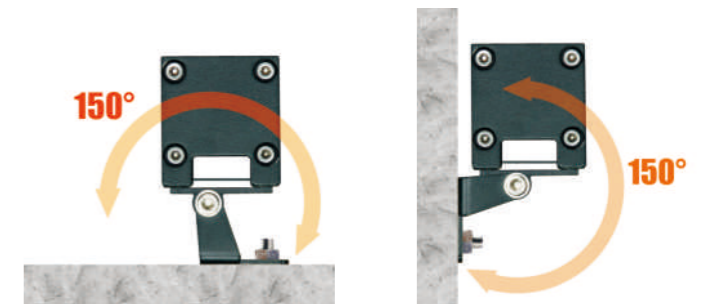
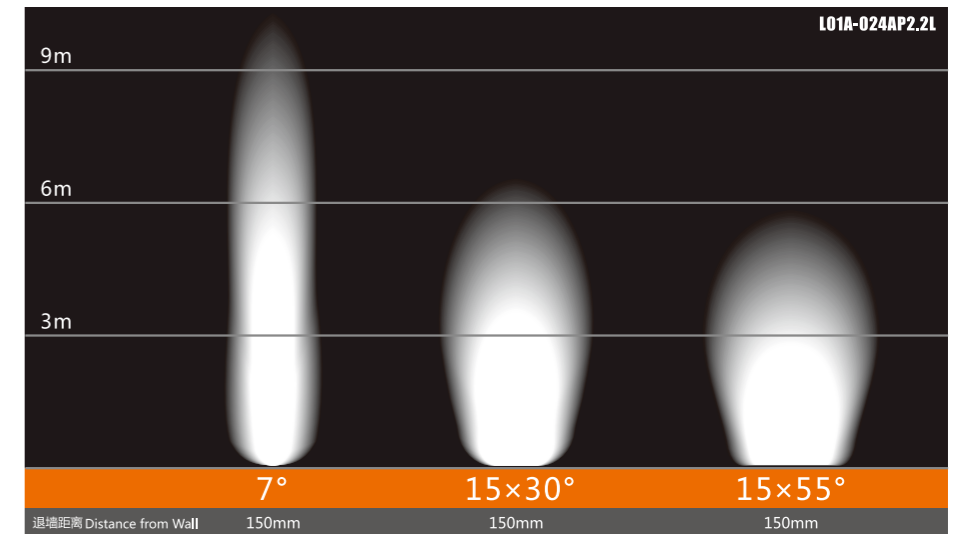


产品特性 Features

- 加强型铝合金灯体，压铸铝端盖；光滑表面自洁，产品外形美观，结构牢固；
- 一体式散热结构，能将热量有效传递到灯具外部散热；
- 塞式防水结构，防水持久有效，可达IP66；
- 底部线槽，可暗藏线路，整体美观；
- 搭载小型窄角配光，最远可达12米照射高度；
- 隔离式进线结构，有效防止线缆进气问题；
- 电源与信号端防浪涌雷击ESD防反接电路保护设计；可达4KV。



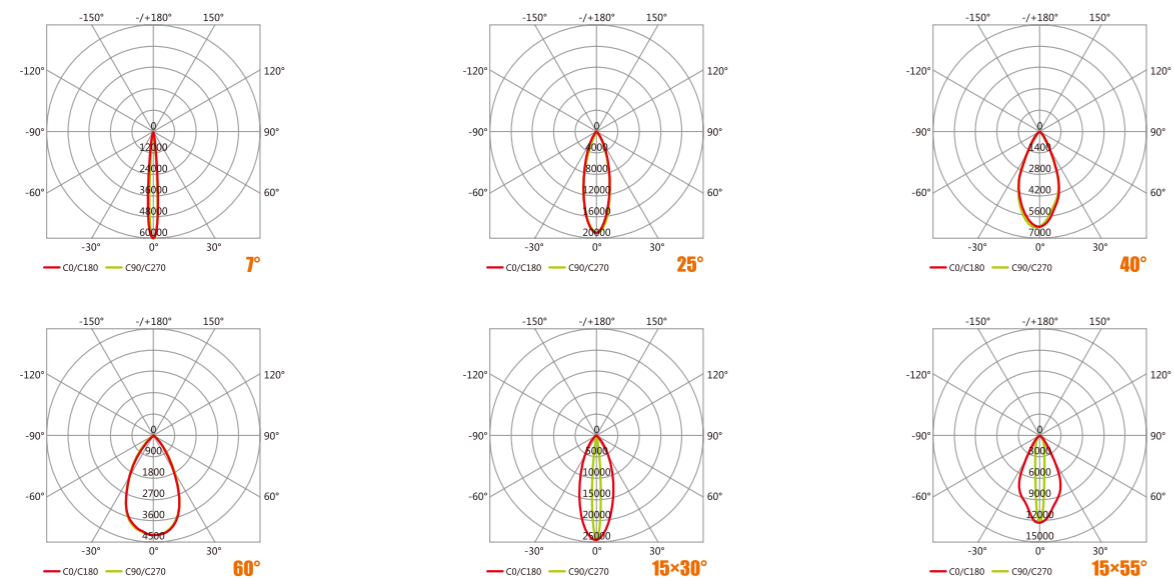
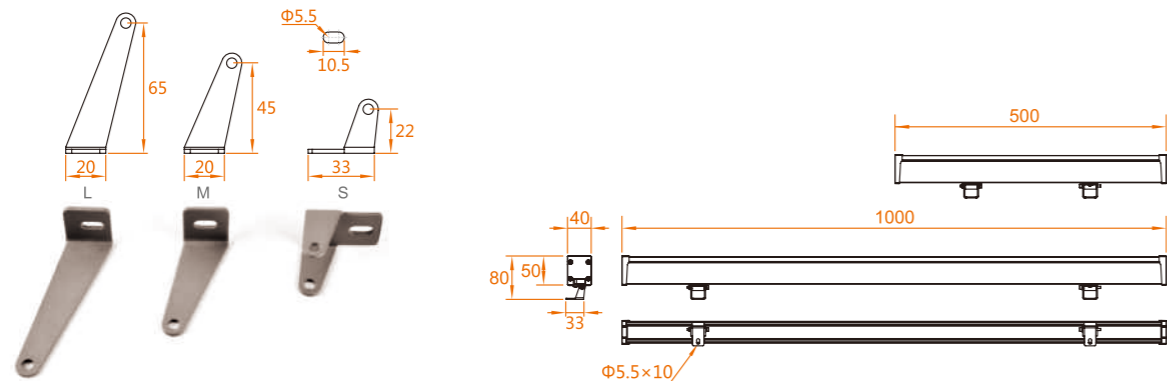
- Reinforced aluminum alloy lamp body, die cast aluminum end cover; smooth surface self-cleaning, beautiful appearance, solid structure;
- Integral heat dissipation structure, the heat can be effectively transferred to the external heat dissipation;
- Plug type waterproof structure, waterproof lasting effective, up to Ip66;
- The bottom of the groove, hidden lines, the overall appearance;
- Equipped with a small narrow angle light, the maximum height of up to 12 meters;
- Isolated wire feeding structure, which can effectively prevent the cable from water vapor;
- The design of power supply and signal protection against surge lightning ESD reverse circuit protection; up to 4KV.



Horizontal And Vertical Mounting Bracket

L01A Li-LINE 力朗

LED wall washer light
LED 洗墙灯



塑形者
Shaping



L01C

Twin LED wall washer light
LED洗墙灯

L01A-009

DC 24V
3000/4000K
● ●

LED Quantity	Optical Angle	Net Weight	Rated Power	Luminous Flux	Lamp Size	Gross Weight/Packing Size
9 pcs	7°/25°/40°/60°/ 15°x30°/15°x55°	1.1 kg	9W 18W	910 lm 1655 lm	500×40×50mm	1.4kg/550×130×110mm(1pcs/box) 14.6kg/605×455×235mm(12pcs/box)

L01A-012

DC 24V
3000/4000K/RGB
● ● ●

LED Quantity	Optical Angle	Net Weight	Rated Power	Luminous Flux	Lamp Size	Gross Weight/Packing Size
12 pcs	7°/25°/40°/60°/ 15°x30°/15°x55°	1.2 kg	12W 24W	1205 lm 2183 lm	500×40×50mm	1.4kg/550×130×110mm(1pcs/box) 14.7kg/605×455×235mm(12pcs/box)

L01A-018

DC 24V
3000/4000K/RGB
● ● ●

LED Quantity	Optical Angle	Net Weight	Rated Power	Luminous Flux	Lamp Size	Gross Weight/Packing Size
18 pcs	7°/25°/40°/60°/ 15°x30°/15°x55°	2.0 kg	18W 36W	1802 lm 3257 lm	1000×40×50mm	2.5kg/1060×550×130mm(1pcs/box) 14.0kg/1135×455×135mm(6pcs/box)

L01A-024

DC 24V
3000/4000K/RGB
● ● ●

LED Quantity	Optical Angle	Net Weight	Rated Power	Luminous Flux	Lamp Size	Gross Weight/Packing Size
24 pcs	7°/25°/40°/60°/ 15°x30°/15°x55°	2.1 kg	24W 48W	2408 lm 4343 lm	1000×40×50mm	2.5kg/1060×550×130mm(1pcs/box) 14.2kg/1135×455×135mm(6pcs/box)

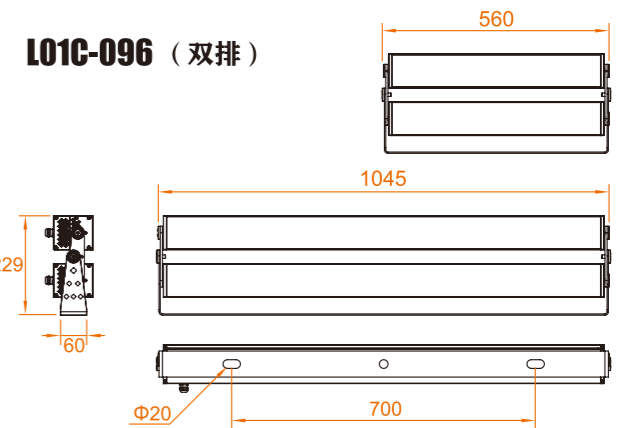
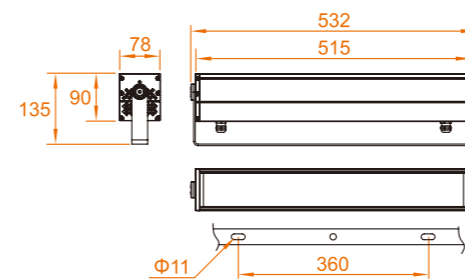
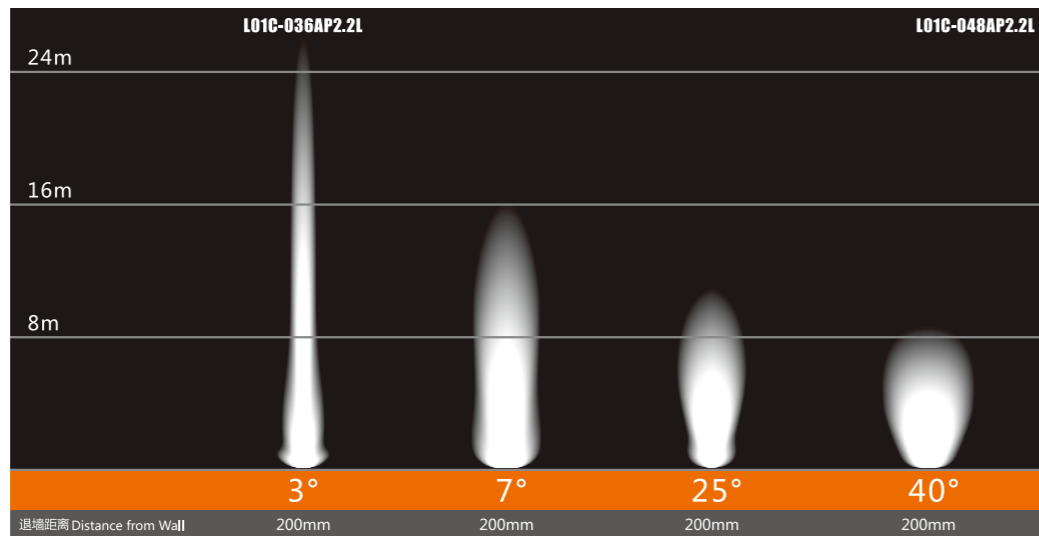
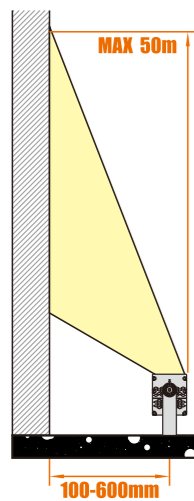
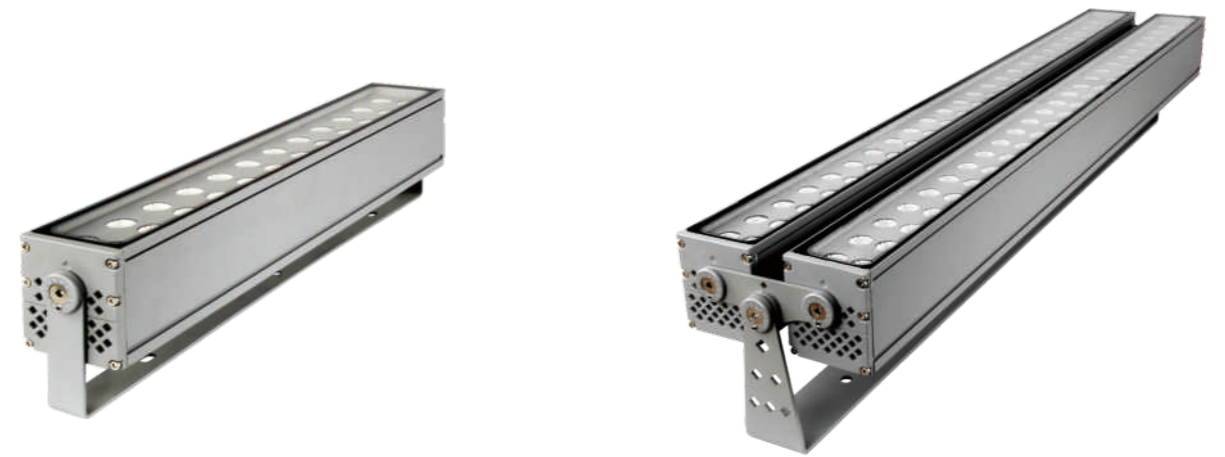
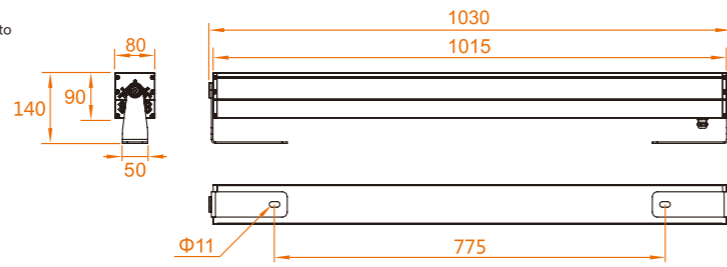


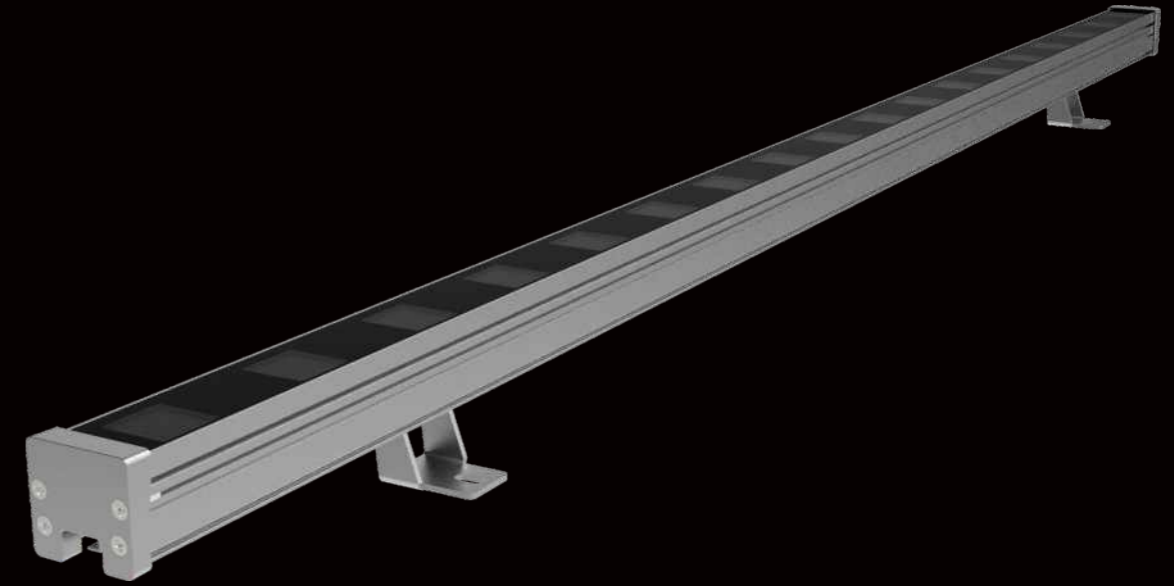
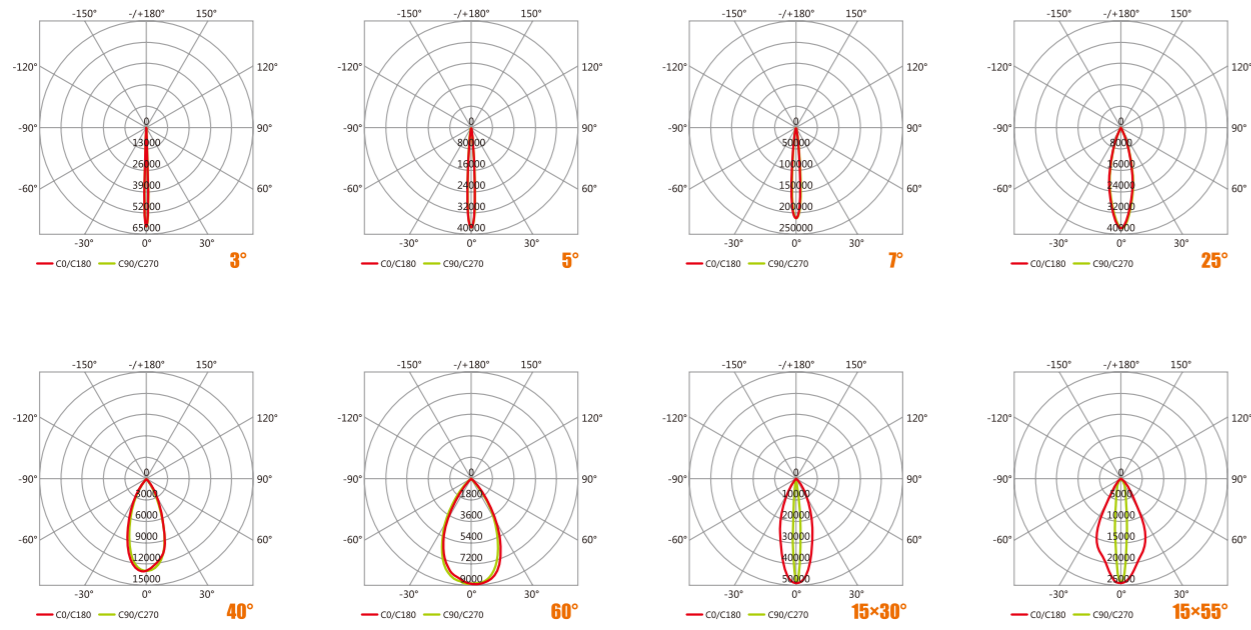
产品特性 Features

- 兼具投光灯与洗墙灯优势，是高层照明利器；是替代大功率投光灯照射立面的有效产品；
- 网孔通风结构，可有效散热，灯具功率最大可达100W；
- 整体式支架，结构牢固；整体性强；
- 加强型铝合金灯体，压铸铝端盖；光滑表面，具备自洁功能；外形美观，结构牢固；
- 隔离式进线结构，有效防止线缆进气问题；
- 活塞式防水结构，防水可达IP66；
- 电源与信号端防浪涌雷击ESD防反接电路保护设计；可达4KV。



- Both the light and the advantages of the wall lamp, is a high-level lighting weapon; is an alternative to large power projection lamp illumination facade effective products;
- The mesh ventilation structure can effectively heat lamps, the maximum power of up to 100W;
- Integral support, firm structure and strong integrity;
- Reinforced aluminum alloy lamp body, die cast aluminum end cover; smooth surface, with self-cleaning function; beautiful appearance, solid structure; isolated wire feeding structure, which can effectively prevent the cable from water vapor;
- Piston type waterproof structure, waterproof up to Ip66;
- The design of power supply and signal protection against surge lightning ESD reverse circuit protection; up to 4KV.





L01C-018

LED Quantity	Optical Angle	Net Weight	Rated Power	Luminous Flux	Lamp Size	Gross Weight/Packing Size
18 pcs	3°/7°/25°/40°/ 60°/15×30°/15×55°	3.4 kg	21W 42W	1809 lm 3570 lm	530×80×90mm	3.7kg/570×205×125mm(1pcs/box)

L01C-024

LED Quantity	Optical Angle	Net Weight	Rated Power	Luminous Flux	Lamp Size	Gross Weight/Packing Size
24 pcs	7°/25°/40°/60°/ 15×30°/15×55°	3.5 kg	28W 55W	2828 lm 4995 lm	530×80×90mm	3.8kg/570×205×125mm(1pcs/box)

L01C-036

LED Quantity	Optical Angle	Net Weight	Rated Power	Luminous Flux	Lamp Size	Gross Weight/Packing Size
36 pcs	3°/7°/25°/40°/ 60°/15×30°/15×55°	5.7 kg	42W 83W	4243 lm 7055 lm	1030×80×90mm	6.3kg/1095×205×135mm(1pcs/box)

L01C-048

LED Quantity	Optical Angle	Net Weight	Rated Power	Luminous Flux	Lamp Size	Gross Weight/Packing Size
48 pcs	7°/25°/40°/60°/ 15×30°/15×55°	6.1 kg	55W 110W	5610 lm 9155 lm	1030×80×90mm	6.7kg/1095×205×135mm(1pcs/box)

L01C-096 (双排 Double)

LED Quantity	Optical Angle	Net Weight	Rated Power	Luminous Flux	Lamp Size	Gross Weight/Packing Size
96 pcs	7°/25°/40°/60°/ 15×30°/15×55°	13.3 kg	220W	18310 lm	1050×230×90mm	14.1kg/1095×300×145mm(1pcs/box)

L01E



Mini Stick 迷你棒
LED Washer light
LED 洗墙灯



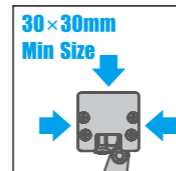
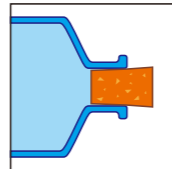
L01E Mini Stick 迷你棒

LED Washer light
LED 洗墙灯

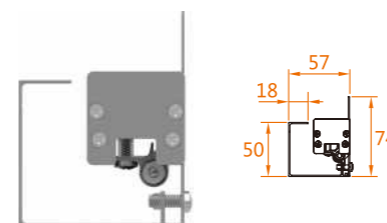
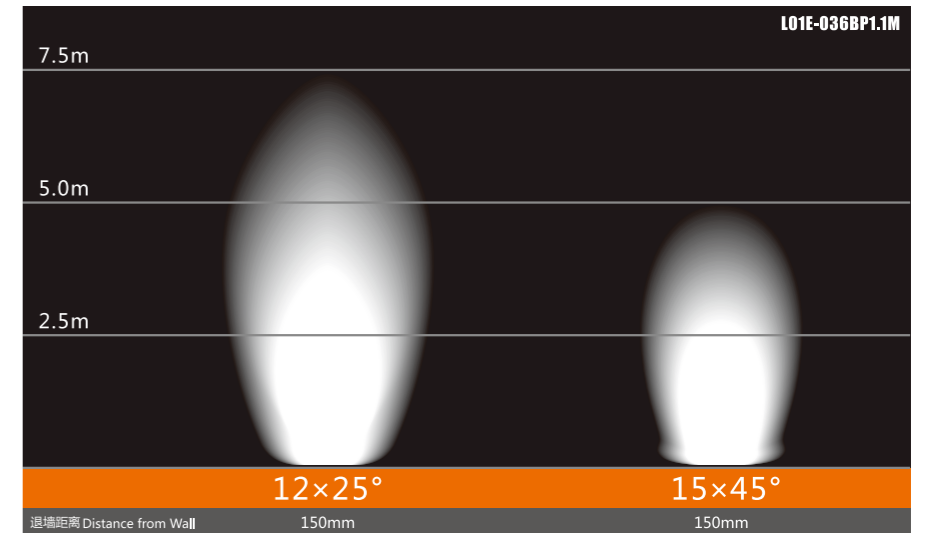


产品特性 Features

- 加强型铝合金灯体，压铸铝端盖；光滑表面自洁，产品外形美观，结构牢固；
- 一体式散热结构，能将热量有效传递到灯具外部散热；
- 塞式防水结构，防水持久有效，可达IP66；
- 隔离式进线结构，有效防止线缆进气问题；
- 电源与信号端防浪涌雷击ESD防反接电路保护设计；可达4KV。

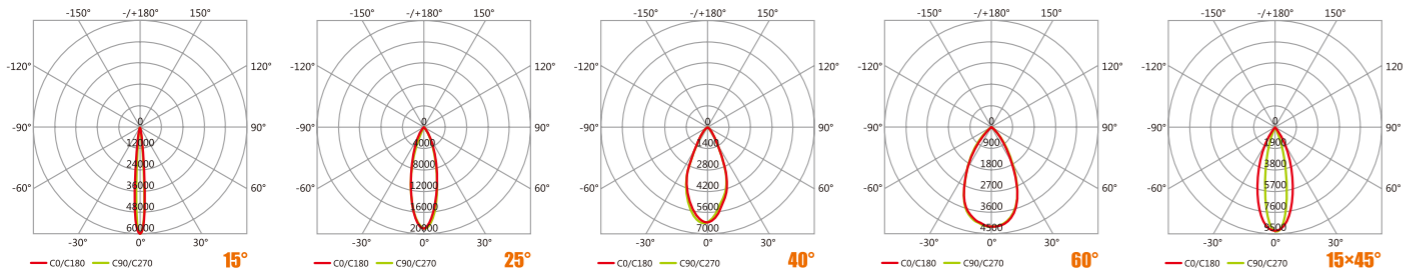
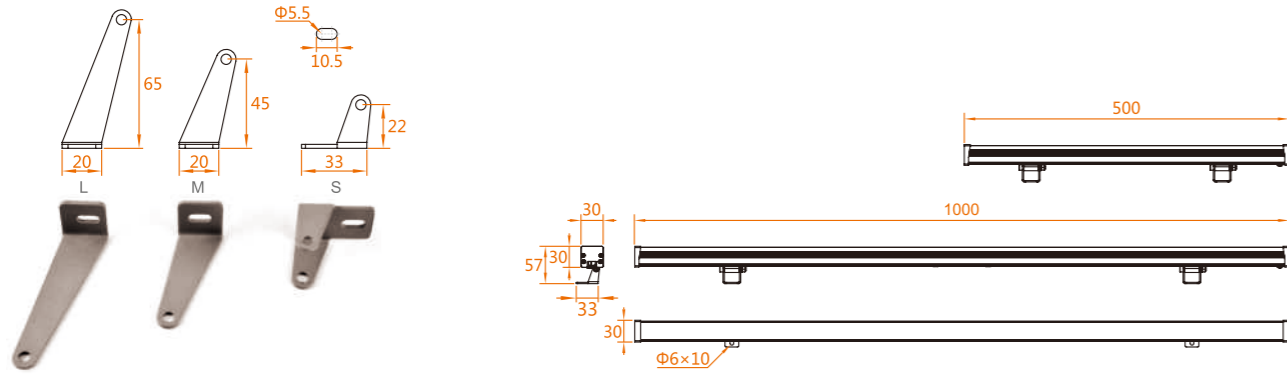


- Reinforced aluminum alloy lamp body, die cast aluminum end cover; smooth surface self-cleaning, beautiful appearance, solid structure;
- Integral heat dissipation structure, the heat can be effectively transferred to the external heat dissipation;
- Plug type waterproof structure, waterproof lasting effective, up to Ip66;
- Isolated wire feeding structure, which can effectively prevent the cable from water vapor;
- The design of power supply and signal protection against surge lightning ESD reverse circuit protection; up to 4KV.



L01E Mini Stick 迷你棒

LED Washer light
LED 洗墙灯



L01E-009BP1.1M

DC 24V
3000/4000K
● ●

LED Quantity	Optical Angle	Net Weight	Rated Power	Luminous Flux	Lamp Size	Gross Weight/Packing Size
9 pcs	15°/25°/40° 60°/15°x45°	0.7 kg	9 W	912 lm	500×30×30mm	0.9kg/550×110×130mm(1pcs/box) 9.3kg/605×455×235mm(12pcs/box)

L01E-012BP1.1M

DC 24V
3000/4000K
● ●

LED Quantity	Optical Angle	Net Weight	Rated Power	Luminous Flux	Lamp Size	Gross Weight/Packing Size
12 pcs	15°/25°/40° 60°/15°x45°	0.7 kg	12 W	1230 lm	500×30×30mm	0.9kg/550×110×130mm(1pcs/box) 9.3kg/605×455×235mm(12pcs/box)

L01E-018BP1.1M

DC 24V
3000/4000K
● ●

LED Quantity	Optical Angle	Net Weight	Rated Power	Luminous Flux	Lamp Size	Gross Weight/Packing Size
18 pcs	15°/25°/40° 60°/15°x45°	1.1 kg	18 W	1882 lm	1000×30×30mm	1.4kg/1060×110×130mm(1pcs/box) 14.4kg/1135×455×135mm(12pcs/box)

L01E-024BP1.1M

DC 24V
3000/4000K
● ●

LED Quantity	Optical Angle	Net Weight	Rated Power	Luminous Flux	Lamp Size	Gross Weight/Packing Size
24 pcs	15°/25°/40° 60°/15°x45°	1.1 kg	24 W	2454 lm	1000×30×30mm	1.4kg/1060×110×130mm(1pcs/box) 14.4kg/1135×455×135mm(12pcs/box)

L01E-036BP1.1M

DC 24V
3000/4000K
● ●

LED Quantity	Optical Angle	Net Weight	Rated Power	Luminous Flux	Lamp Size	Gross Weight/Packing Size
36 pcs	15°/25°/40° 60°/15°x45°	1.2 kg	36 W	3676 lm	1000×30×30mm	1.5kg/1060×110×130mm(1pcs/box) 14.9kg/1135×455×135mm(12pcs/box)

L01E-018BP4.0M

DC 24V
RGBW
● ● ● ●

LED Quantity	Optical Angle	Net Weight	Rated Power	Luminous Flux	Lamp Size	Gross Weight/Packing Size
18 pcs	12°x25° /15°x45°	1.4 kg	36 W	1676 lm	1000×30×30mm	1.7kg/1060×110×130mm(1pcs/box) 18.1kg/1135×455×135mm(12pcs/box)



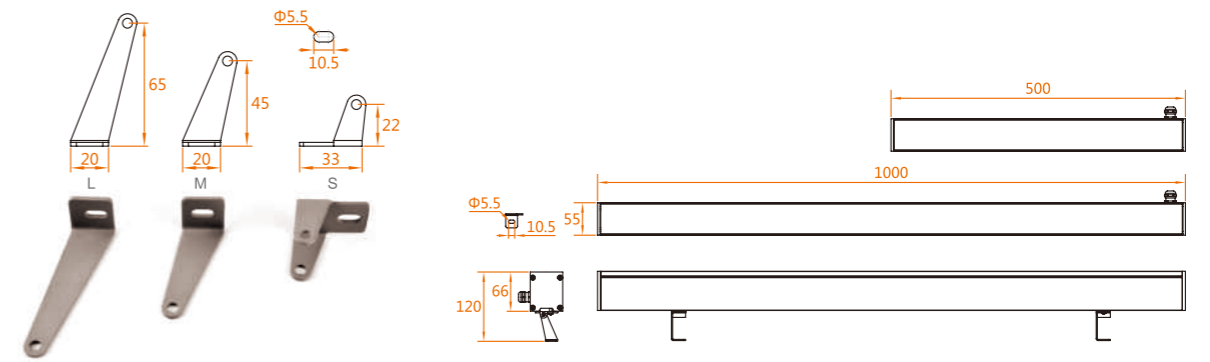


威锋
Weil Sharp



L01F

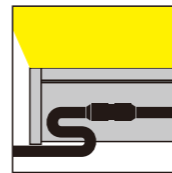
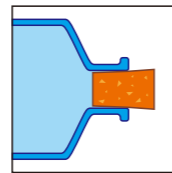
LED Washer light
LED 洗墙灯



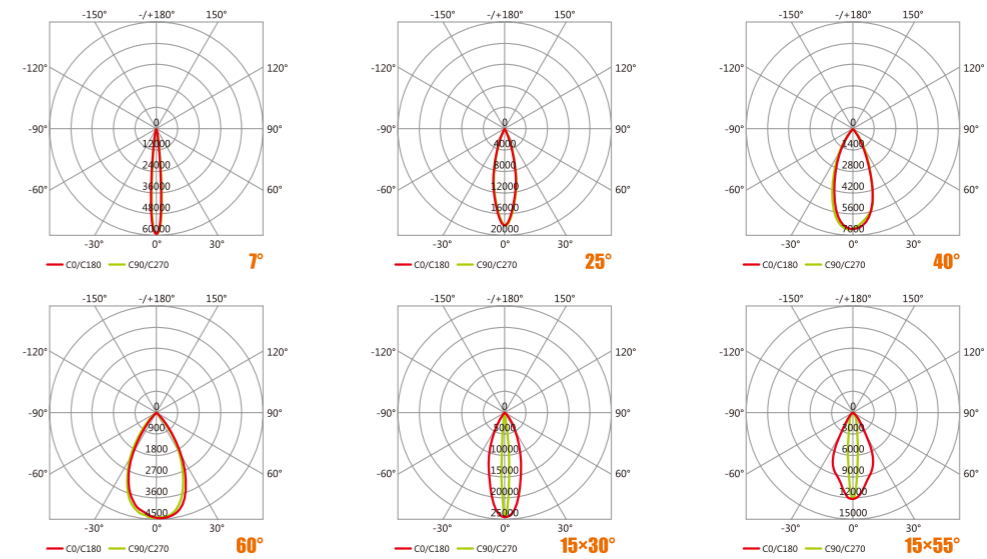
产品特性 Features



- 加强型铝合金灯体，压铸铝端盖；光滑表面自洁，产品外形美观，结构牢固；
- 高压一体式，外形简洁、美观与建筑完美融合。一体式散热结构，能将热量有效传递到灯具外部散热；
- 塞式防水结构，防水持久有效，可达IP66。隔离式进线结构，有效防止线缆进气问题；
- 信号端防浪涌雷击ESD防反接电路保护设计，可达4KV。



- Reinforced aluminum alloy lamp body, die cast aluminum end cover; smooth surface self-cleaning, beautiful appearance, solid structure;
- High pressure integrated, simple appearance, beautiful and perfect fusion of architecture. Integral heat dissipation structure, which can transfer heat to external cooling;
- Plug type waterproof structure, waterproof lasting effective, up to IP66. Isolated wire feeding structure, which can effectively prevent the cable from water vapor;
- Signal terminal anti surge lightning ESD anti reverse circuit protection design, up to 4KV.



L01F-009

AC 220V
3000/4000K/RGB



LED Quantity	Optical Angle	Net Weight	Rated Power	Luminous Flux	Lamp Size	Gross Weight/Packing Size
9 pcs	7°/25°/40°/60°/ 15×30°/15×55°	1.9 kg	11 W 21 W	910 lm 1655 lm	500×55×66mm	2.2kg/565×135×175mm(1pcs/box)

L01F-012

AC 220V
3000/4000K/RGB



LED Quantity	Optical Angle	Net Weight	Rated Power	Luminous Flux	Lamp Size	Gross Weight/Packing Size
12 pcs	7°/25°/40°/60°/ 15×30°/15×55°	1.9 kg	14 W 28 W	1205 lm 2183 lm	500×55×66mm	2.2kg/565×135×175mm(1pcs/box)

L01F-018

AC 220V
3000/4000K/RGB



LED Quantity	Optical Angle	Net Weight	Rated Power	Luminous Flux	Lamp Size	Gross Weight/Packing Size
18 pcs	7°/25°/40°/60°/ 15×30°/15×55°	3.2 kg	21 W 42 W	1802 lm 3257 lm	1000×55×66mm	3.8kg/1065×135×175mm(1pcs/box)

L01F-024

AC 220V
3000/4000K/RGB



LED Quantity	Optical Angle	Net Weight	Rated Power	Luminous Flux	Lamp Size	Gross Weight/Packing Size
24 pcs	7°/25°/40°/60°/ 15×30°/15×55°	3.3 kg	28 W 55 W	2408 lm 4343 lm	1000×55×66mm	3.9kg/1065×135×175mm(1pcs/box)

L01F-009AP4.0

AC 220V
3000/4000K/RGBW



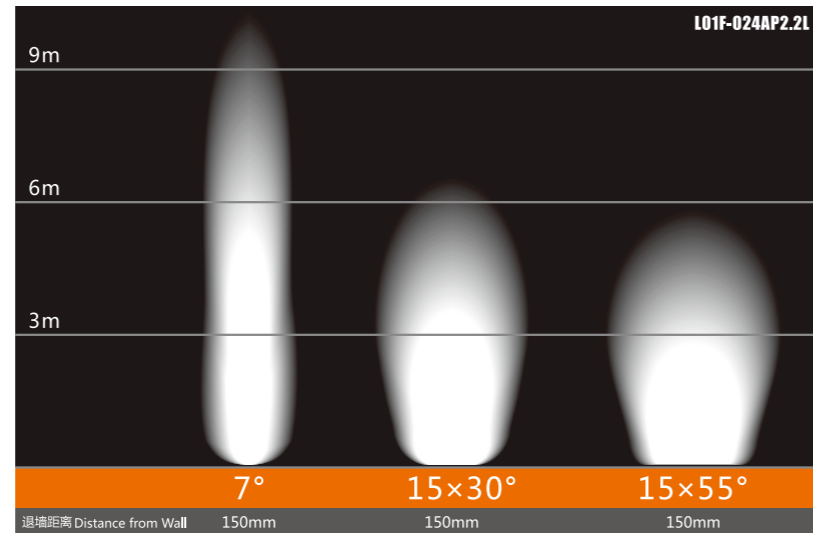
LED Quantity	Optical Angle	Net Weight	Rated Power	Luminous Flux	Lamp Size	Gross Weight/Packing Size
9 pcs	25°/40°	2.1 kg	30 W	1713 lm	500×55×66mm	2.4kg/565×135×175mm(1pcs/box)

L01F-018AP4.0

AC 220V
3000/4000K/RGBW



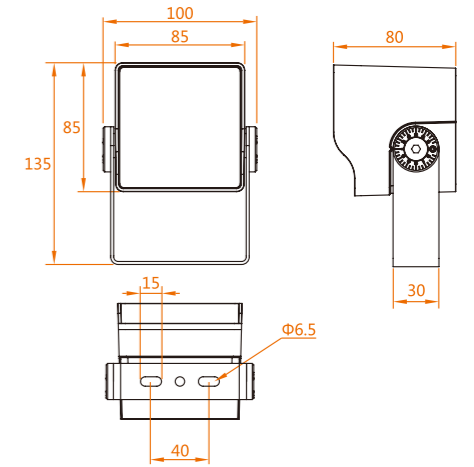
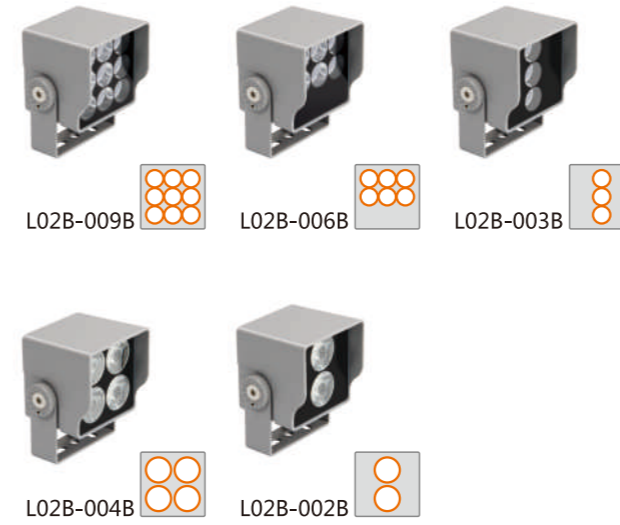
LED Quantity	Optical Angle	Net Weight	Rated Power	Luminous Flux	Lamp Size	Gross Weight/Packing Size
18 pcs	25°/40°	3.8 kg	60 W	3228 lm	1000×55×66mm	4.2kg/1065×135×175mm(1pcs/box)





LO2A

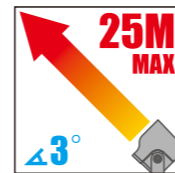
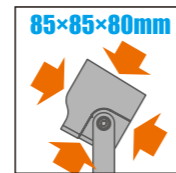
LED Projector light
LED 投光灯



产品特性 Features



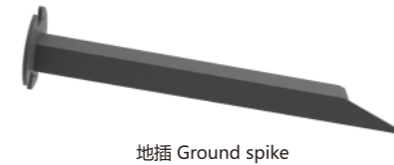
- 压铸铝结构工艺, 高效内散热技术; 可缩小灯具尺寸, 提高功率; 最大可达12W;
- 光滑表面, 除尘镀层, 具有自洁功能; 避免散热器积灰, 持久保持灯具美观;
- 可搭载3度极窄配光; 最远可达25米远投射; 中心照度可达40LX;
- 多种应用方式, 可投光、洗墙、照树、吊装或壁装。



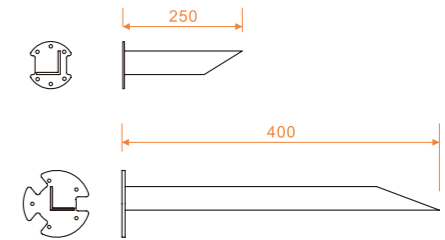
- Die casting aluminum structure, efficient internal cooling technology can reduce the size of the lamp, improve power; maximum up to 12W;
- The utility model is characterized in that the utility model has the advantages of smooth surface, dust removing coating, self cleaning function, avoiding ash accumulation of the radiator, and maintaining the beautiful appearance of the lamp for a long time;
- It can be equipped with 3 degree very narrow light distribution; the farthest can reach up to 25 meters far projection; central illumination up to 40LX;
- A variety of applications, can cast light, wash the wall, according to trees, lifting or wall mounted.



- 在草地泥土等无预置固定件外可采用地插方式安装
It can be used in the field of grass, soil and so on



地插 Ground spike



LO2A-B MINI-BOX

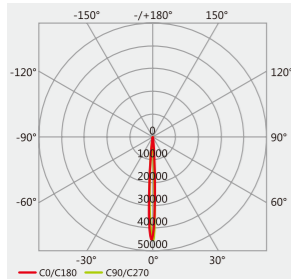
LED Projector light
LED 投光灯

LO2A-A M-BOX

LED Projector light
LED 投光灯

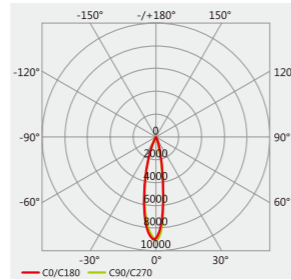


LO2A-004B 8W 3°



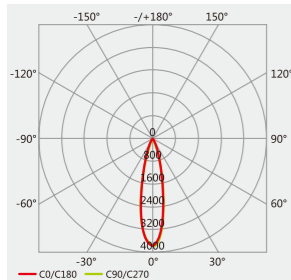
h (m)	Eavg (lx)	Emax (lx)	D (m)
4	2227	3029	0.26
8	557	757	0.52
12	247	337	0.78
16	139	189	1.04
20	89	121	1.30

LO2A-009B 9W 15°



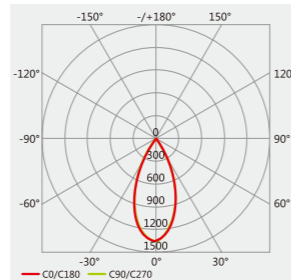
h (m)	Eavg (lx)	Emax (lx)	D (m)
1	5530	8198	0.23
2	1383	2049	0.46
3	615	911	0.69
4	346	512	0.92
5	221	328	1.15

LO2A-009B 9W 25°



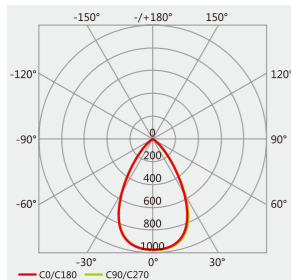
h (m)	Eavg (lx)	Emax (lx)	D (m)
1	2532	3815	0.44
2	633	954	0.88
3	281	424	1.32
4	158	238	1.76
5	101	153	2.20

LO2A-009B 9W 40°



h (m)	Eavg (lx)	Emax (lx)	D (m)
1	911	1367	0.80
2	228	542	1.60
3	101	152	2.40
4	57	85	3.20
5	36	55	4.00

LO2A-009B 9W 60°

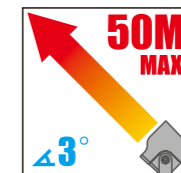


h (m)	Eavg (lx)	Emax (lx)	D (m)
1	576	933	1.10
2	144	233	2.20
3	64	104	3.30
4	36	58	4.40
5	23	37	5.50



产品特性 Features

- 灯具采用一体化压铸工艺，低铜耐腐蚀的铝合金材料，三段式结构设计，缩减尺寸的同时，灯具最大功率可达50W；
- 隐藏式鳍片辐射散热，光源衔接处的腰线设计产生有效对流，使热瞬间传递到空气；
- 光滑表面，除尘镀层，具有自洁功能；避免散热器积灰，持久保持灯具美观；
- 可搭载3度极窄配光；最远可达50米远射程；中心照度可达40LX；
- 加强型铝合金灯体，压铸铝端盖；光滑表面，具备自洁功能；外形美观，结构牢固；
- 高压宽电压输入及防雷保护，最高可达305V；能应付户外严苛的供电环境。



- ADC12 low cuprum die-cast aluminum and three section structure design which can reduce Lamp size and improve the power, maximum up to 50W;
- The hidden fins radiate heat, and the waist line at the junction of the light source is designed to generate effective convection, so that the heat can be transferred to the air instantaneously
- Smooth surface, dust removal coating, self-cleaning function; avoid the accumulation of dust in the radiator, and keep the lamp beautiful for a long time;
- It can be equipped with 3 degree very narrow light distribution; up to a distance of up to 50 meters; central illumination up to 40LX;
- Reinforced aluminum alloy lamp body, die cast aluminum end cover; smooth surface, with self-cleaning function; beautiful appearance, solid structure;
- High voltage and wide voltage input and lightning protection, up to 305V; can cope with harsh outdoor power supply environment.

LO2A-002B

DC 24V 3000/4000K ● ●	LED Quantity	Optical Angle	Net Weight	Rated Power	Luminous Flux	Lamp Size	Packing Size/Gross Weight
	2 pcs	3°	0.8 kg	2 W 5 W	172 lm 376 lm	100×80×135mm	0.85kg/220×135×140mm(1pcs/box) 10.3kg/475×425×190mm(12pcs/box)

LO2A-004B

DC 24V/AC 220V 3000/4000K ● ●	LED Quantity	Optical Angle	Net Weight	Rated Power	Luminous Flux	Lamp Size	Packing Size/Gross Weight
	4 pcs	3°	0.85 kg	7W	568 lm	100×80×135mm	0.9kg/220×135×140mm(1pcs/box) 11.1kg/475×425×190mm(12pcs/box)

LO2A-003B

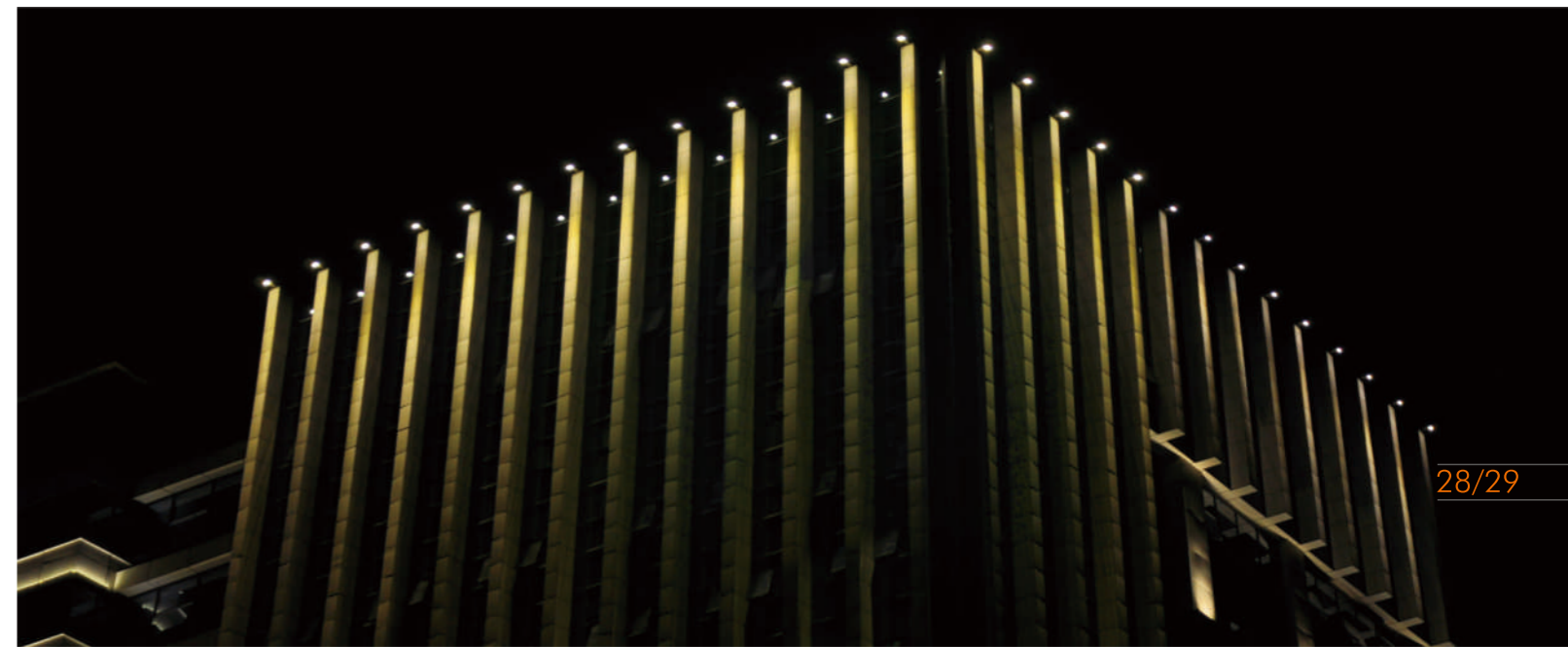
DC 24V/AC 220V 3000/4000K ● ●	LED Quantity	Optical Angle	Net Weight	Rated Power	Luminous Flux	Lamp Size	Packing Size/Gross Weight
	3 pcs	15°/25°/40°/60°	0.75 kg	8 W	635 lm	100×80×135mm	0.80kg/220×135×140mm(1pcs/box) 10.0kg/475×425×190mm(12pcs/box)

LO2A-006B

DC 24V/AC 220V 3000/4000K ● ●	LED Quantity	Optical Angle	Net Weight	Rated Power	Luminous Flux	Lamp Size	Packing Size/Gross Weight
	6 pcs	15°/25°/40°/60°	0.80 kg	8 W	655 lm	100×80×135mm	0.85kg/220×135×140mm(1pcs/box) 10.3kg/475×425×190mm(12pcs/box)

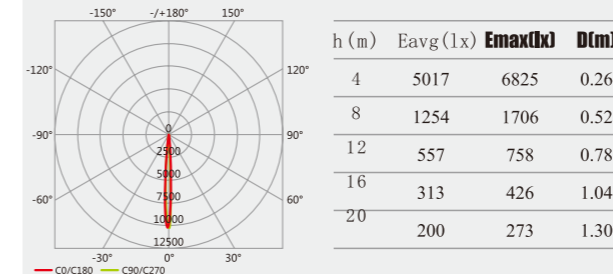
LO2A-009B

DC 24V/AC 220V 3000/4000K ● ●	LED Quantity	Optical Angle	Net Weight	Rated Power	Luminous Flux	Lamp Size	Packing Size/Gross Weight
	9 pcs	15°/25°/40°/60°	0.85 kg	10 W	895 lm	100×80×135mm	0.9kg/220×135×140mm(1pcs/box) 10.6kg/475×425×190mm(12pcs/box)

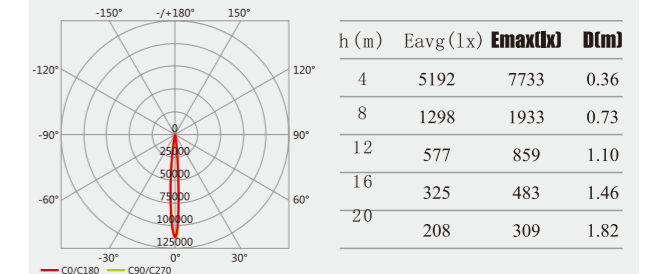




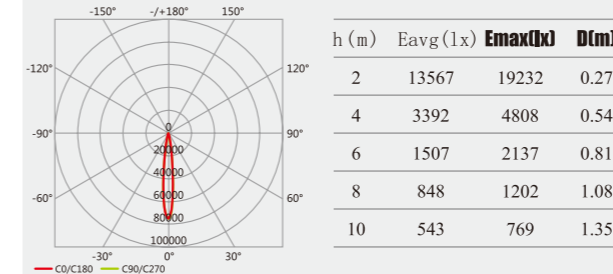
L02A-009A 20W 3°



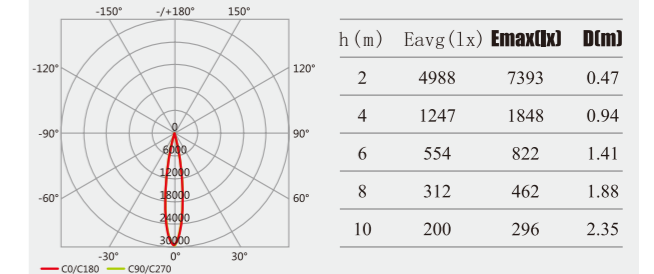
L02A-009A 30W 5°



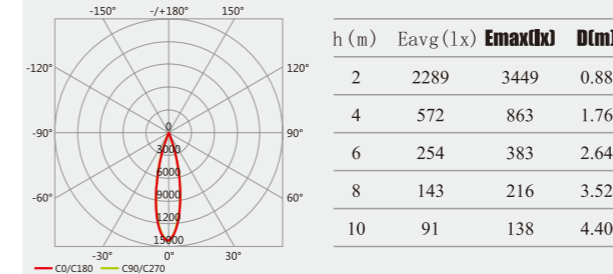
L02A-018A 40W 7°



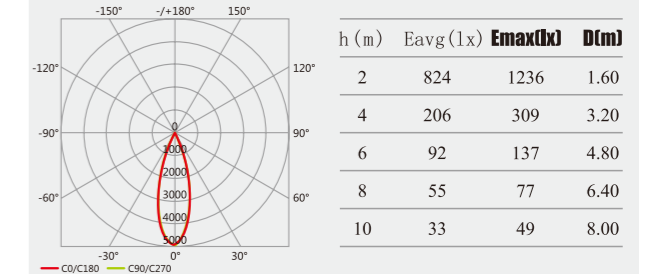
L02A-018A 40W 15°



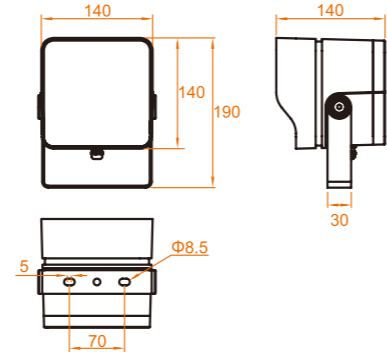
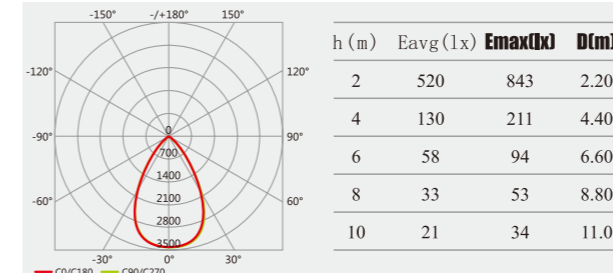
L02A-018A 40W 25°



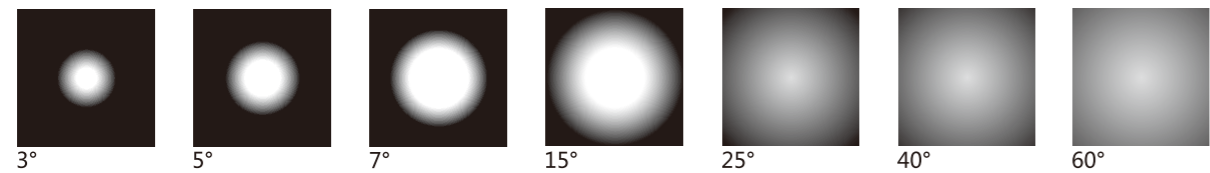
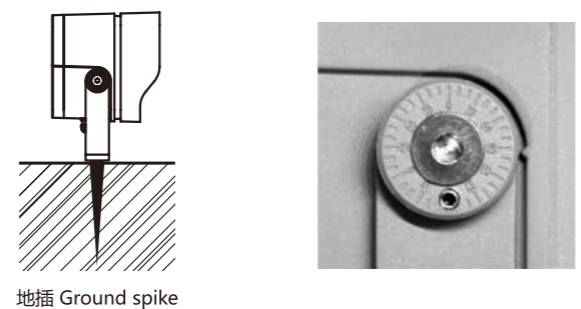
L02A-018A 40W 40°



L02A-018A 40W 60°



- 在草地泥土等无预置固定件外可采用地插方式安装；
- 可用于吊装和壁装。
- It can be used in the field of grass, soil and so on;
- Can be used for lifting and wall mounting.



L02A-009A

LED Quantity	Net Weight	Optical Angle	Rated Power	Luminous Flux	Lamp Size	Packing Size/Gross Weight
9 pcs	2.3 kg	3°	20 W	1278 lm	140×140×190mm	2.4kg/240×220×205mm(1pcs/box) 10.1kg/475×425×190mm(4pcs/box)
		5°	30 W	2476 lm		
		7°/15°/25°/40°/60°	10 W	910 lm		
		20 W	1598 lm			

L02A-012A

LED Quantity	Net Weight	Optical Angle	Rated Power	Luminous Flux	Lamp Size	Packing Size/Gross Weight
12 pcs	2.3 kg	7°/15°/25°/40°/60°	14 W	1203 lm	140×140×190mm	2.5kg/240×220×205mm(1pcs/box) 10.1kg/475×425×190mm(4pcs/box)
			28 W	2165 lm		

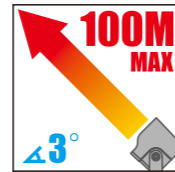
L02A-018A

LED Quantity	Net Weight	Optical Angle	Rated Power	Luminous Flux	Lamp Size	Packing Size/Gross Weight
18 pcs	2.4 kg	7°/15°/25°/40°/60°	20 W	1815 lm	140×140×190mm	2.7kg/240×220×205mm(1pcs/box) 10.5kg/475×425×190mm(4pcs/box)
			40 W	3283 lm		



产品特性 Features

- 压铸铝结构工艺的高效散热技术以及电源侧装方案，缩小了灯具尺寸，提高整灯功率，最大可达80W；
- 鳍片式散热设计，热传到性更好，优化的距高比使对流更顺畅；
- 除尘镀层，具有自洁功能，持久保持灯具美观；
- 可搭载3度极窄配光；最远可达80米远射程；中心照度可达23LX；
- 加强型铝合金灯体，压铸铝端盖；光滑表面，具备自洁功能；外形美观，结构牢固；
- 透气呼吸装置，达到灯具内外气压平衡；
- 高压宽电压输入及防雷保护，最高可达305V；能应付户外严苛的供电环境。



- Die casting aluminum structure for efficient heat dissipation technology and power side mounting can be reduced Lamp size, improve power; maximum up to 80W;
- Fin type heat dissipation design, better heat transfer, optimized space-depth ratio makes convection smoother;
- Dust removal coating with self-cleaning function to keep the appearance of lamp clean for a long time;
- It can be equipped with 3 degree very narrow light distribution; up to a distance of up to 80 meters; central illumination up to 23LX;
- Reinforced aluminum alloy lamp body, die cast aluminum end cover; smooth surface, with self-cleaning function; beautiful appearance, solid structure;
- Air breathing device to achieve the balance between the inside and outside the lamp;
- High voltage and wide voltage input and lightning protection, up to 305V; can cope with harsh outdoor power supply environment.



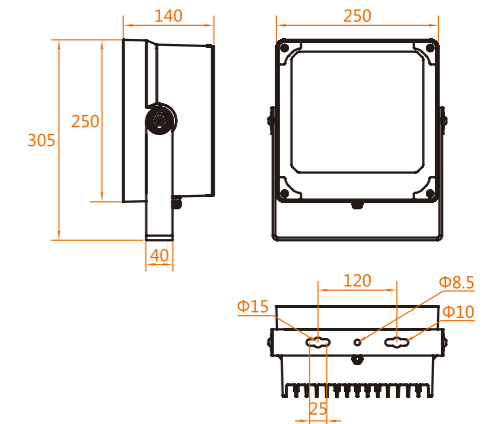
L02A-020C



L02A-024C



L02A-036C



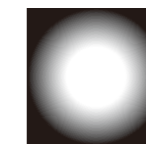
3°



5°



7°



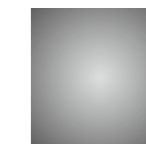
15°



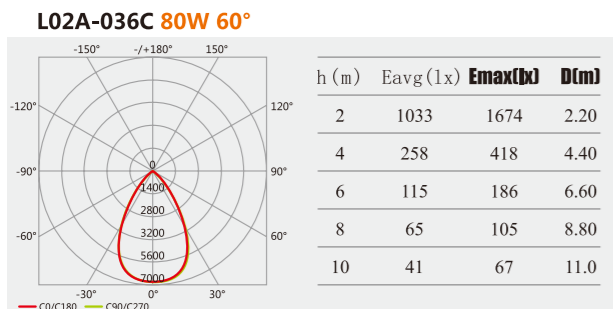
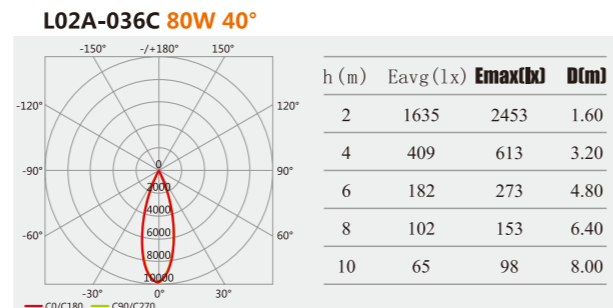
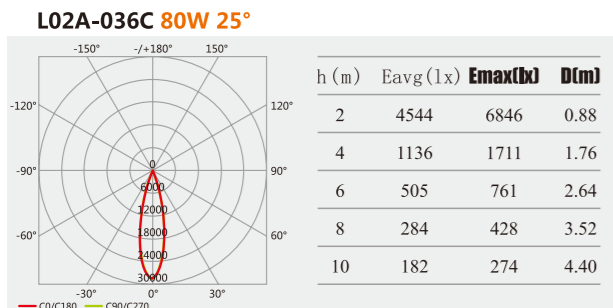
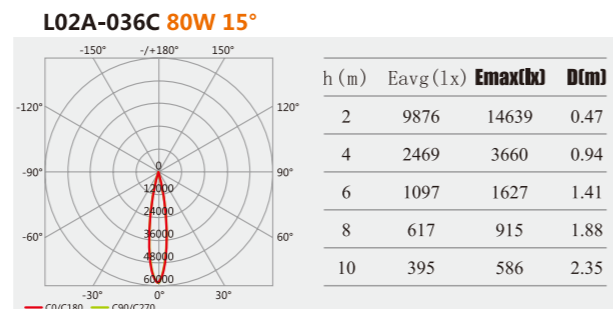
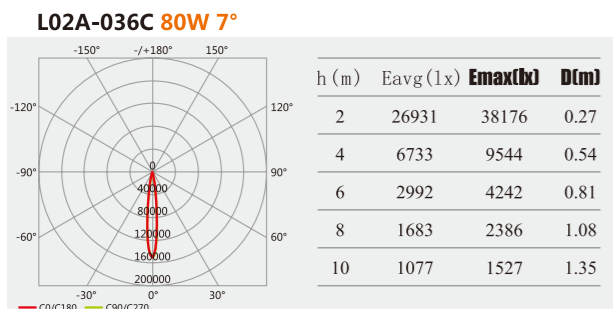
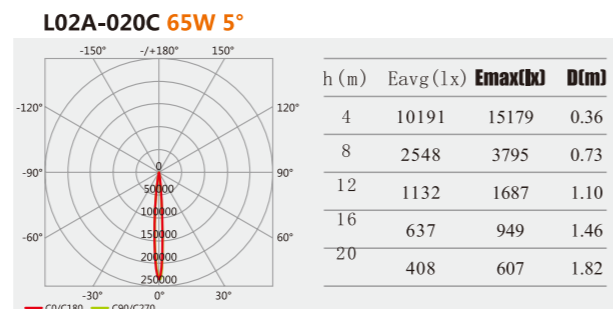
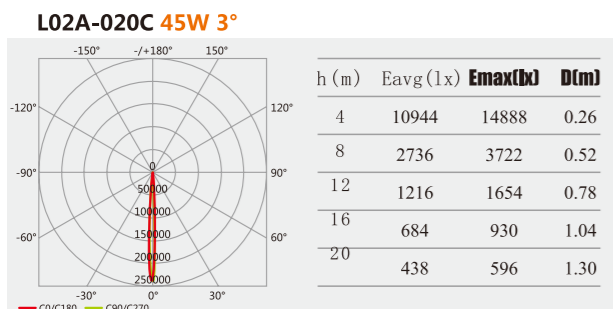
25°



40°



60°



L02A-020C

LED Quantity	Net Weight	Optical Angle	Rated Power	Luminous Flux	Lamp Size	Packing Size/Gross Weight
20 pcs	5.6 kg	3°	45 W	2788 lm	250×140×305mm	6.2kg/365×335×200mm(1pcs/box)
		5°	65 W	4860 lm		

L02A-024C

LED Quantity	Net Weight	Optical Angle	Rated Power	Luminous Flux	Lamp Size	Packing Size/Gross Weight
24 pcs	5.3 kg	7°/15°/25°/ 40°/60°	60 W	4744 lm	250×140×305mm	5.9kg/365×335×200mm(1pcs/box)

L02A-036C

LED Quantity	Net Weight	Optical Angle	Rated Power	Luminous Flux	Lamp Size	Packing Size/Gross Weight
36 pcs	5.6 kg	7°/15°/25°/ 40°/60°	80 W	6516 lm	250×140×305mm	6.2kg/365×335×200mm(1pcs/box)

STAR

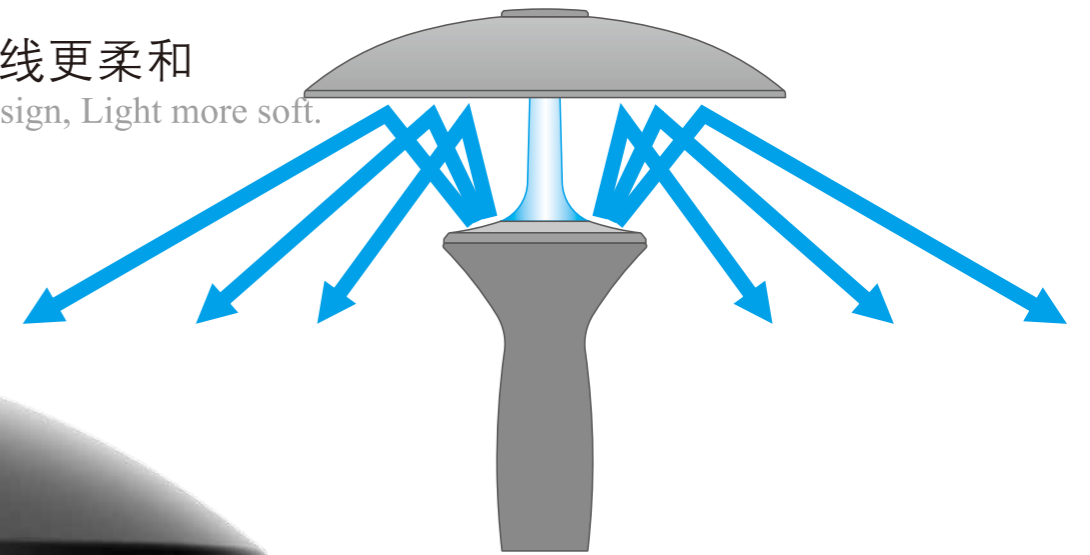
LED 庭院燈 星辰



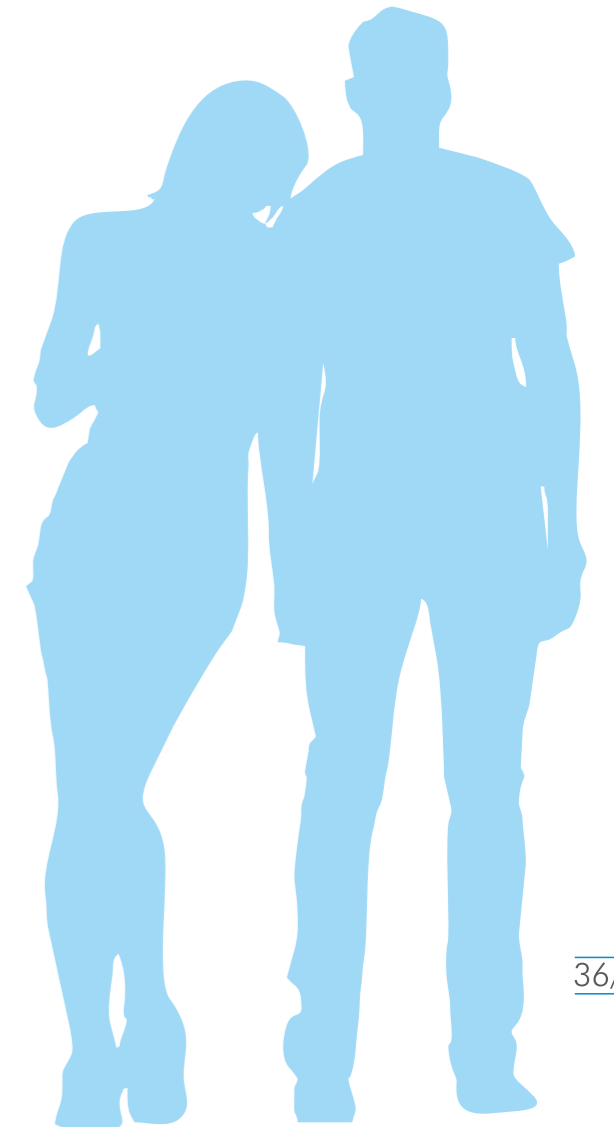
★ 光洁表面自洁不粘灰
Smooth surface without dust



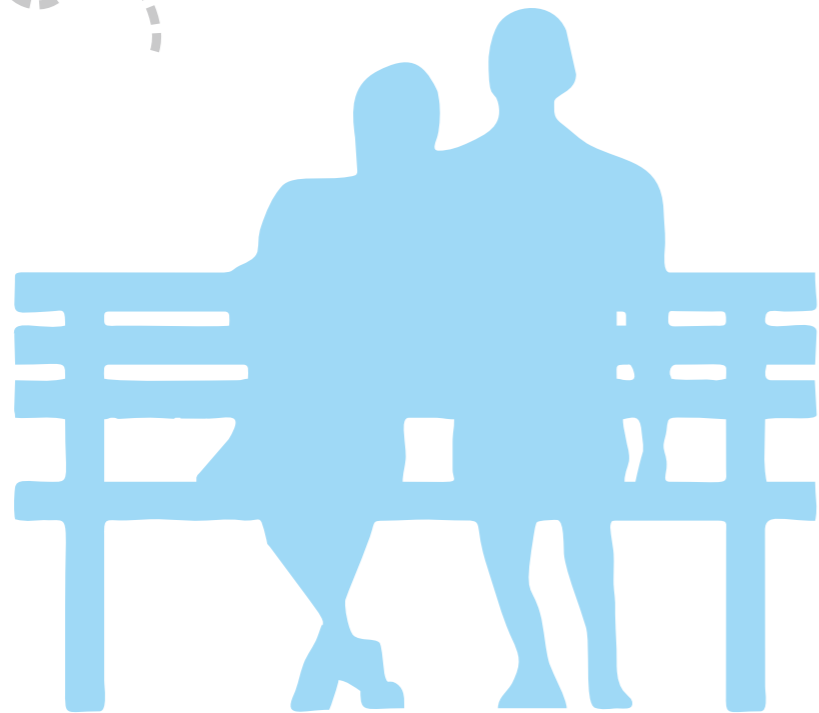
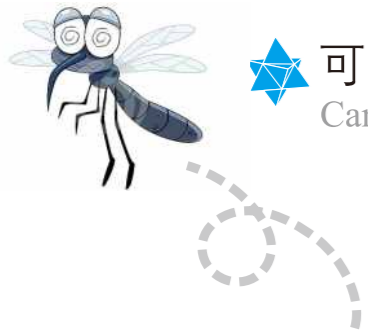
★ 漫反射光线更柔和
Reflection design, Light more soft.



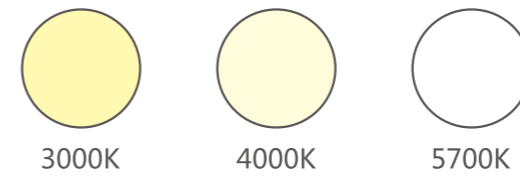
★ 可加载行人感应模组
Can be installed Pedestrian induction module.



★ 可加载驱虫功能
Can be installed mosquitoes repel module.



★ 多种光色配置
Multiple color temperature options.



3000K

4000K

5700K

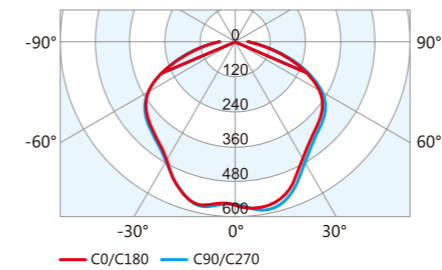
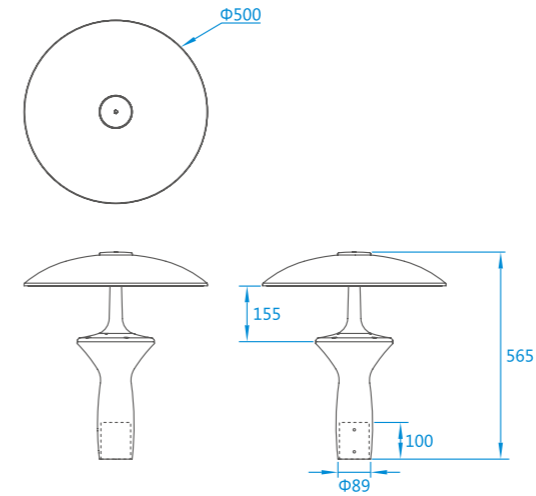
L07A-A
IP66 IK08 CE



A型

应用于城市慢车道、窄车道、居民小区、旅游景区，公园、广场等公共场所。

Used for urban slow lane, narrow lane, residential area, tourist attractions, parks, squares etc public places.



L07A-048AP0.5M

AC180~270V 3000/4000/5700K	Rated Power	Net Weight	Optical Angle	Instl Tube	Luminous Flux	Lamp Size	Packing Size/Gross Weight
● ● ●	30 W	6.4 kg	135°x135°	φ60/76	1988/1988/2014lm	500×500×565mm	8.6kg/550×550×625mm(1pcs/box)

L07A-054AP0.5M

AC180~270V 3000/4000/5700K+BLUE	Rated Power	Net Weight	Optical Angle	Instl Tube	Luminous Flux	Lamp Size	Packing Size/Gross Weight
● ● ●	30 W	6.4 kg	135°x135°	φ60/76	1988/1988/2014lm	500×500×565mm	8.6kg/550×550×625mm(1pcs/box)

L07A-048AP1.1M

AC180~270V 3000/4000/5700K	Rated Power	Net Weight	Optical Angle	Instl Tube	Luminous Flux	Lamp Size	Packing Size/Gross Weight
● ● ●	60 W	6.5 kg	135°x135°	φ60/76	3824/3824/3874lm	500×500×565mm	8.7kg/550×550×625mm(1pcs/box)

L07A-054AP1.1M

AC180~270V 3000/4000/5700K+BLUE	Rated Power	Net Weight	Optical Angle	Instl Tube	Luminous Flux	Lamp Size	Packing Size/Gross Weight
● ● ●	60 W	6.5 kg	135°x135°	φ60/76	3824/3824/3874lm	500×500×565mm	8.7kg/550×550×625mm(1pcs/box)

L07A-B
IP66 IK08 CE CRI>70

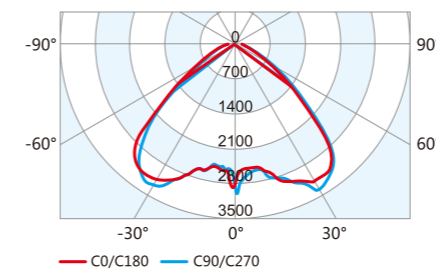
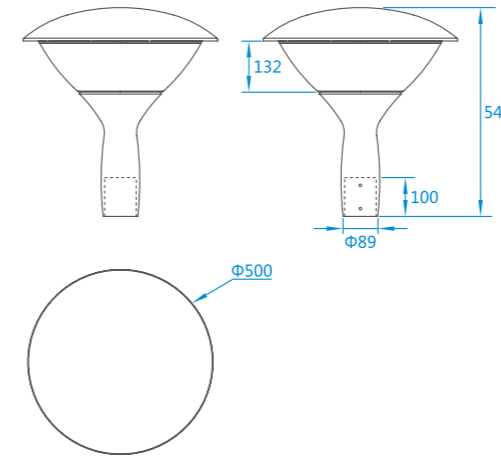
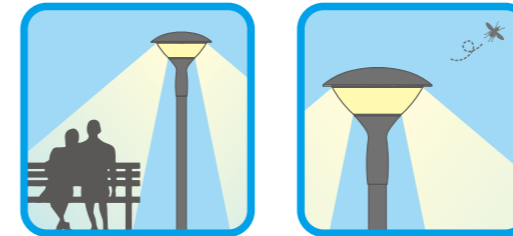


B型

应用于城市慢车道、窄车道、居民小区、旅游景区，公园、广场等公共场所。
Used for urban slow lane, narrow lane, residential area, tourist attractions, parks, squares etc public places.



可选功能模组：人体感应模组、驱虫模组。
Can be chosen: *Mosquitoes repel module
*Pedestrian induction module



L07A-048BP0.5M

AC180~270V
3000/4000/5700K
● ● ●

Rated Power	Net Weight	Optical Angle	Instl Tube	Luminous Flux	Lamp Size	Packing Size/Gross Weight
30 W	7.6 kg	105°×105°	φ60/76	3005/3005/3098lm	500×500×540mm	9.9kg/555×555×630mm(1pcs/box)

L07A-072BP0.8M

AC180~270V
3000/4000/5700K
● ● ●

Rated Power	Net Weight	Optical Angle	Instl Tube	Luminous Flux	Lamp Size	Packing Size/Gross Weight
60 W	7.7 kg	105°×105°	φ60/76	5825/5825/6008lm	500×500×540mm	10.0kg/555×555×630mm(1pcs/box)

L07A-096BP0.8M

AC180~270V
3000/4000/5700K
● ● ●

Rated Power	Net Weight	Optical Angle	Instl Tube	Luminous Flux	Lamp Size	Packing Size/Gross Weight
85 W	8.1 kg	105°×105°	φ60/76	8348/8348/8608lm	500×500×540mm	10.4kg/555×555×630mm(1pcs/box)

L07A-C

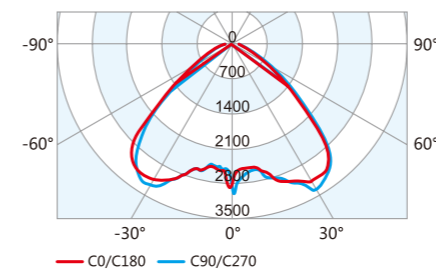
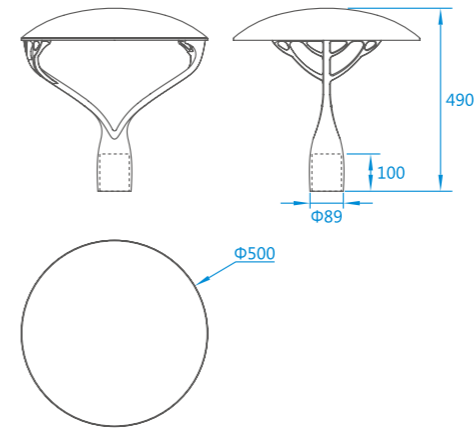
IP66 IK08 CE CRI>70



C型

应用于城市慢车道、窄车道、居民小区、旅游景区，公园、广场等公共场所。

Used for urban slow lane, narrow lane, residential area, tourist attractions, parks, squares etc public places.



L07A-048CP0.5M

AC180~270V
3000/4000/5700K
● ● ●

Rated Power	Net Weight	Optical Angle	Instl Tube	Luminous Flux	Lamp Size	Packing Size/Gross Weight
30 W	8.2 kg	105°×105°	φ60/76	3185/3185/3285lm	500×500×490mm	10.5kg/555×555×660mm(1pcs/box)

L07A-072CP0.8M

AC180~270V
3000/4000/5700K
● ● ●

Rated Power	Net Weight	Optical Angle	Instl Tube	Luminous Flux	Lamp Size	Packing Size/Gross Weight
60 W	8.4 kg	105°×105°	φ60/76	6185/6185/6378lm	500×500×490mm	10.7kg/555×555×660mm(1pcs/box)

L07A-096CP0.8M

AC180~270V
3000/4000/5700K
● ● ●

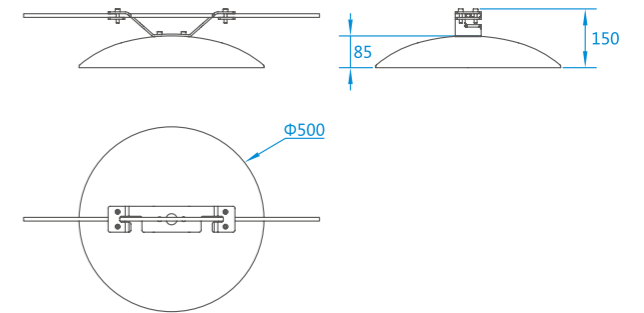
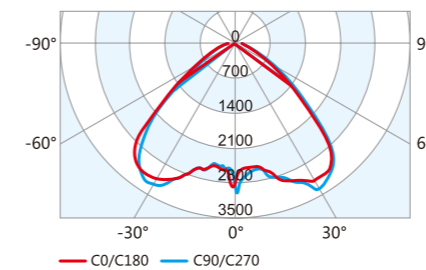
Rated Power	Net Weight	Optical Angle	Instl Tube	Luminous Flux	Lamp Size	Packing Size/Gross Weight
85 W	8.8 kg	105°×105°	φ60/76	8850/8850/9125lm	500×500×490mm	11.1kg/555×555×660mm(1pcs/box)

L07A-D
IP66 IK08 CE CRI>70



D型

应用于城市慢车道、窄车道、居民小区、旅游景区，公园、广场等公共场所。
Used for urban slow lane, narrow lane, residential area, tourist attractions, parks, squares etc public places.



L07A-048DP0.5M

Rated Power	Net Weight	Optical Angle	Instl Tube	Luminous Flux	Lamp Size	Packing Size/Gross Weight
30 W	8.0 kg	105°×105°	φ60/76	3365/3365/3472lm	500×500×150mm	9.7kg/555×555×360mm(1pcs/box)

L07A-072DP0.8M

Rated Power	Net Weight	Optical Angle	Instl Tube	Luminous Flux	Lamp Size	Packing Size/Gross Weight
60 W	8.1 kg	105°×105°	φ60/76	6545/6545/6748lm	500×500×150mm	9.8kg/555×555×360mm(1pcs/box)

L07A-096DP0.8M

Rated Power	Net Weight	Optical Angle	Instl Tube	Luminous Flux	Lamp Size	Packing Size/Gross Weight
85 W	8.5 kg	105°×105°	φ60/76	9355/9355/9645lm	500×500×150mm	10.2kg/555×555×360mm(1pcs/box)

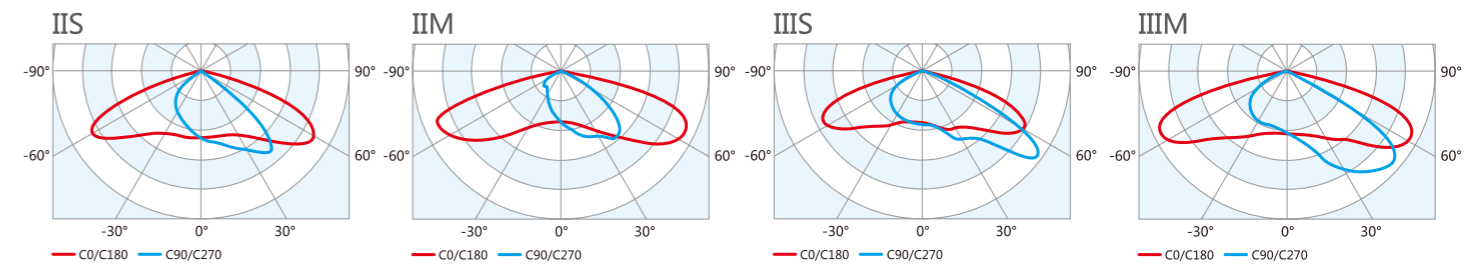
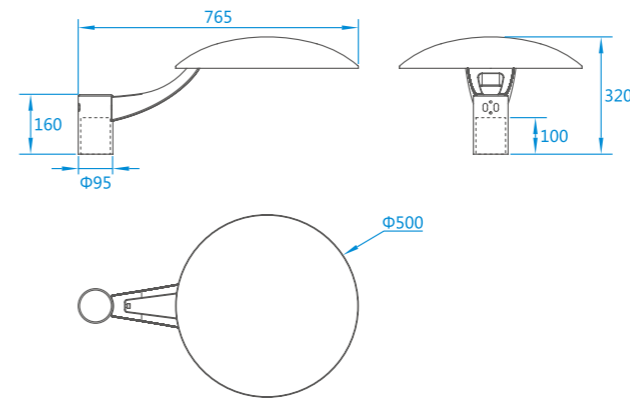
L07A-E

IP66 IK08 CE CRI>70

E型

应用于城市慢车道、窄车道、居民小区、旅游景区，公园、广场等公共场所。

Used for urban slow lane, narrow lane, residential area, tourist attractions, parks, squares etc public places.



L07A-036EP0.8M

AC180~270V
3000/4000/5700K
● ● ●

Rated Power	Net Weight	Optical Angle	Instl Tube	Luminous Flux	Lamp Size	Packing Size/Gross Weight
30 W	7.4 kg	IIS/IIM/IIS/IIM	φ60/76	3416/3416/3583lm	765×500×320mm	9.0kg/555×555×300mm(1pcs/box)

L07A-072EP0.8M

AC180~270V
3000/4000/5700K
● ● ●

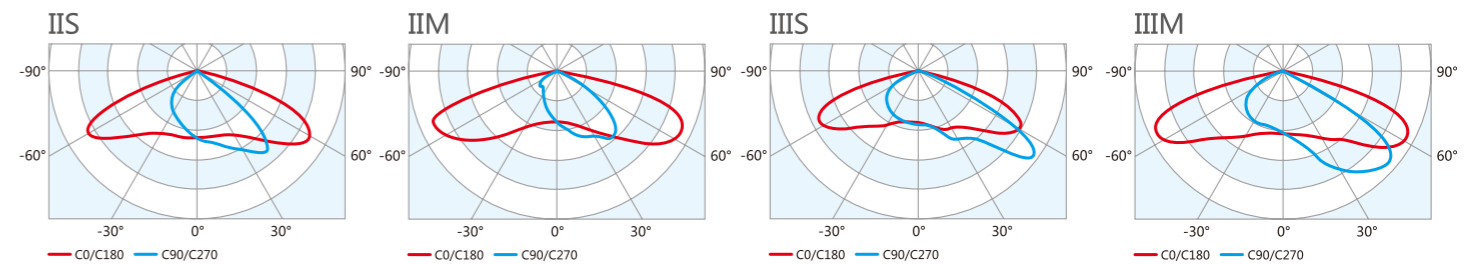
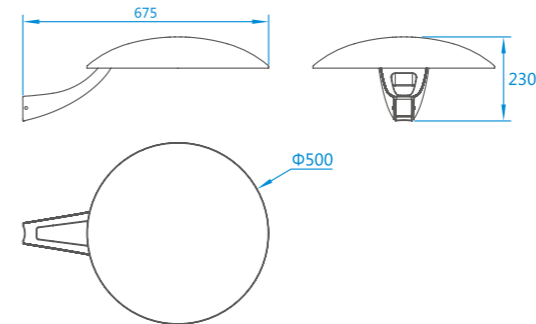
Rated Power	Net Weight	Optical Angle	Instl Tube	Luminous Flux	Lamp Size	Packing Size/Gross Weight
60 W	7.6 kg	IIS/IIM/IIS/IIM	φ60/76	6933/6933/7272lm	765×500×320mm	9.2kg/555×555×300mm(1pcs/box)

L07A-F
IP66 IK08 CE CRI>70

F型

应用于城市慢车道、窄车道、居民小区、旅游景区，公园、广场等公共场所。

Used for urban slow lane, narrow lane, residential area, tourist attractions, parks, squares etc public places.



L07A-036FP0.8M

AC180~270V
3000/4000/5700K
● ● ○

Rated Power	Net Weight	Optical Angle	Instl Tube	Luminous Flux	Lamp Size	Packing Size/Gross Weight
30 W	6.5 kg	IIS/IIM/IIIS/IIIM	φ60/76	3416/3416/3583lm	675×500×230mm	8.1kg/555×555×300mm(1pcs/box)

L07A-072FP0.8M

AC180~270V
3000/4000/5700K
● ● ○

Rated Power	Net Weight	Optical Angle	Instl Tube	Luminous Flux	Lamp Size	Packing Size/Gross Weight
60 W	6.7 kg	IIS/IIM/IIIS/IIIM	φ60/76	6933/6933/7272lm	675×500×230mm	8.3kg/555×555×300mm(1pcs/box)

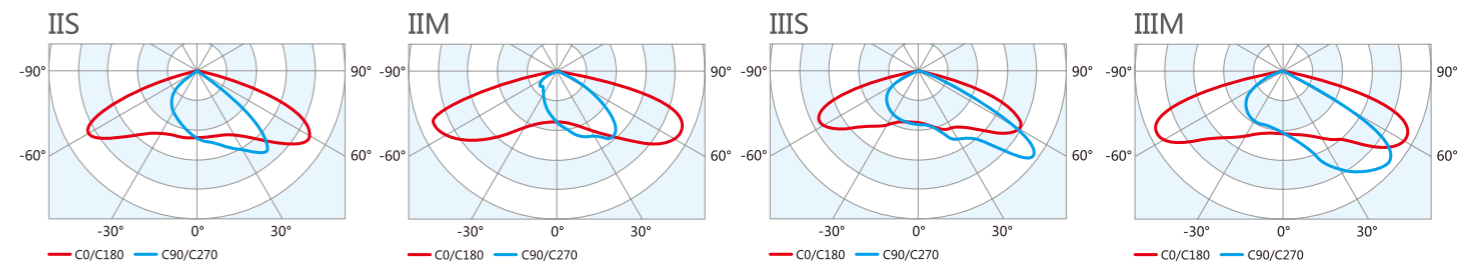
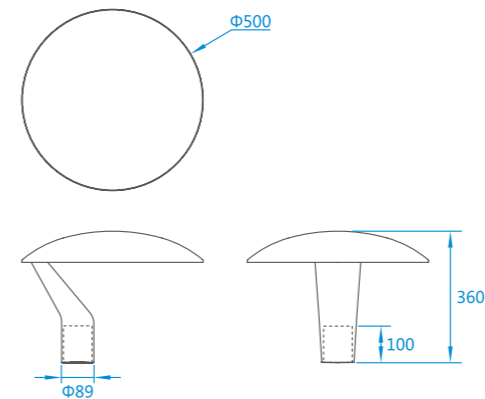
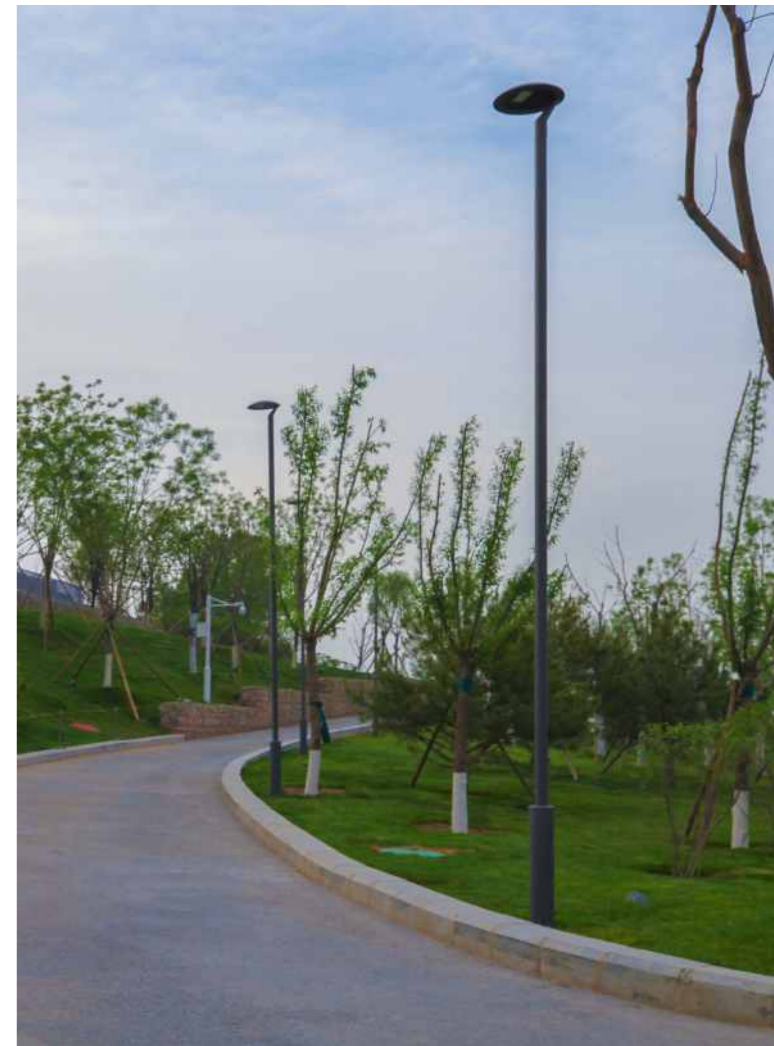
L07A-G
IP66 IK08 CE CRI>70



G型

应用于城市慢车道、窄车道、居民小区、旅游景区，公园、广场等公共场所。

Used for urban slow lane, narrow lane, residential area, tourist attractions, parks, squares etc public places.



L07A-036GP0.8M

AC180~270V
3000/4000/5700K
● ● ●

Rated Power	Net Weight	Optical Angle	Instl Tube	Luminous Flux	Lamp Size	Packing Size/Gross Weight
30 W	6.6 kg	IIS/IIM/IIS/IIIM	φ60/76	3416/3416/3583lm	500×500×360mm	8.3kg/555×555×440mm(1pcs/box)

L07A-072GP0.8M

AC180~270V
3000/4000/5700K
● ● ●

Rated Power	Net Weight	Optical Angle	Instl Tube	Luminous Flux	Lamp Size	Packing Size/Gross Weight
60 W	6.8 kg	IIS/IIM/IIS/IIIM	φ60/76	6933/6933/7272lm	500×500×360mm	8.5kg/555×555×440mm(1pcs/box)



L05A **波瀾** **BILLOW**
BILLOW IS BORN FOR A CITY ROAD

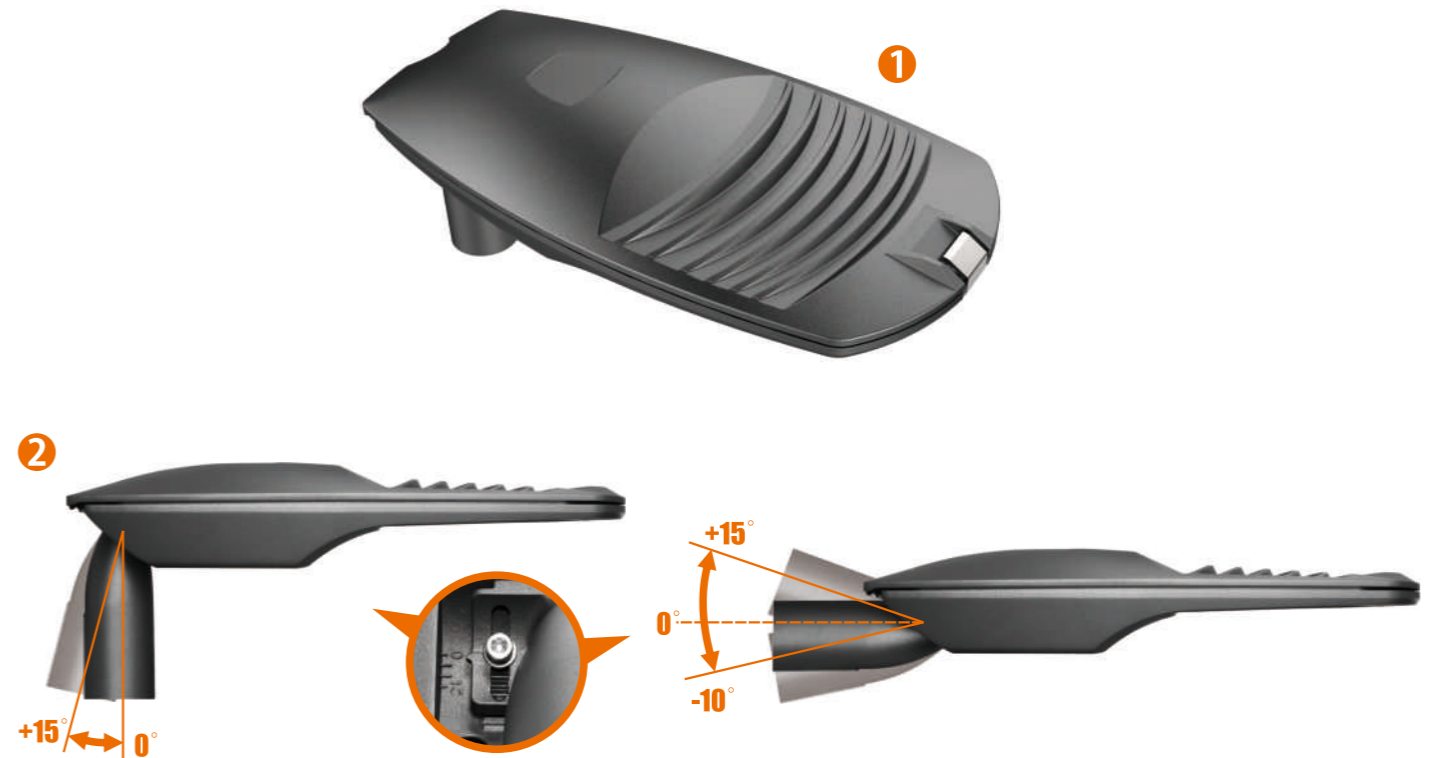
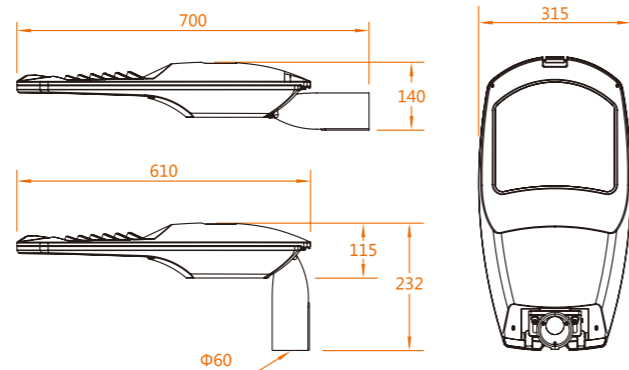
LED luminaire for street lighting
LED 路灯



产品特性 Features

- 通过加载顶部智能控制端口，对每一盏路灯实现智能化感知控制，亮度传感器、第三方车流量、对单个路灯进行精确控制按需照明。
- 高显色LED光源，对色彩的还原度较大的提高,5万小时的长寿命。智能终端,可扩展实现与智能交通、环境监控，城市治理全方位联动。
- 每颗灯珠均有独立的散热器及独立的供电；IP66级的密封工艺，一步实现所需配光，防护耐候性静电喷塑，适合残酷户外应用环境。重量轻、故障率低、维护方便的优点。开箱操作简便，卡扣设计，一键开启，线路合理布局，维护简便。
- 整体流线型设计，优异的弧形导流一体化散热设计，竖向、横向多种角度可变安装。-10-100度可调高强度安装灯杆。

- BILLOW is born for a city road. She is energy-saving lamp products which comply with road lighting standards.
- Simple & Modern design with streamlined appearance make lamps corresponding with the city.
- Focus in every detail, simply clever was motto for our team.
- Ip66 protection with durable electrostatic spray which apply to harsh outdoor applications
- Tool free for open, reasonable layout design brings simple maintenance.



1. 流线形散热设计，散热效果好，导尘能力强。
2. 直角可调角度为0°,+5°,+10°,+15°；水平可调角度为-10°,-5°,0°,+5°,+10°,+15°。
3. 组合式光学镜头，各种光学特性适用于各种道路照明要求。
4. 断电保护插座，安全可靠。
5. 一键式开启结构，维护方便。
6. 操作简单，更换和维修，面板可拆卸。
7. 可插拔连接器。



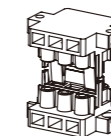
1. Arc shape cooling guide design result in effective heat dissipation and excellent guide dust removal ability.
2. Tilt Angle is 0°,+5°,+10°,+15° for post-top and -10°, -5°,0°,+5°,+10°,+15° for bracket.
3. Combined optical lens, a wide variety of optics feature apply to kinds of road lighting requirements.
4. Power-off protection socket, safe and reliable.
5. Non-slip open bracket, when in maintenance is not easy to fold or fade.
6. Simple operation for driver replace and maintenance, panel is removable.
7. Pluggable connector.



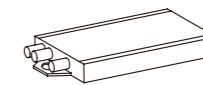
可选配件 Optional accessories



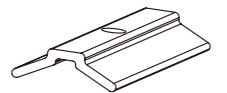
Photocell



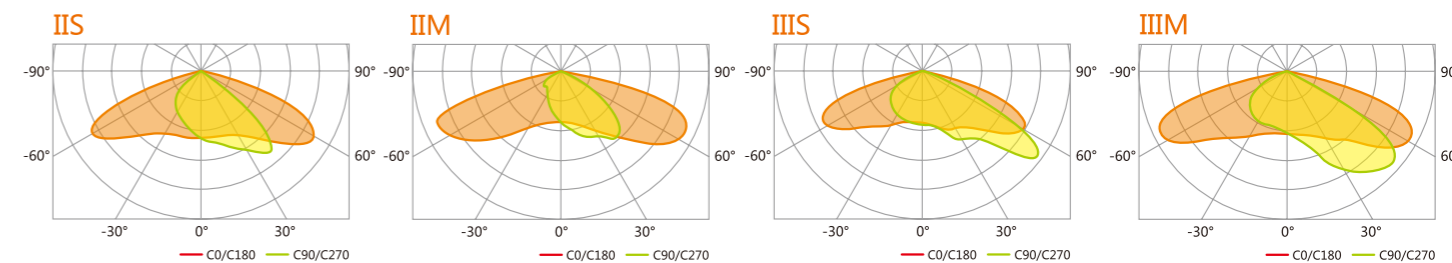
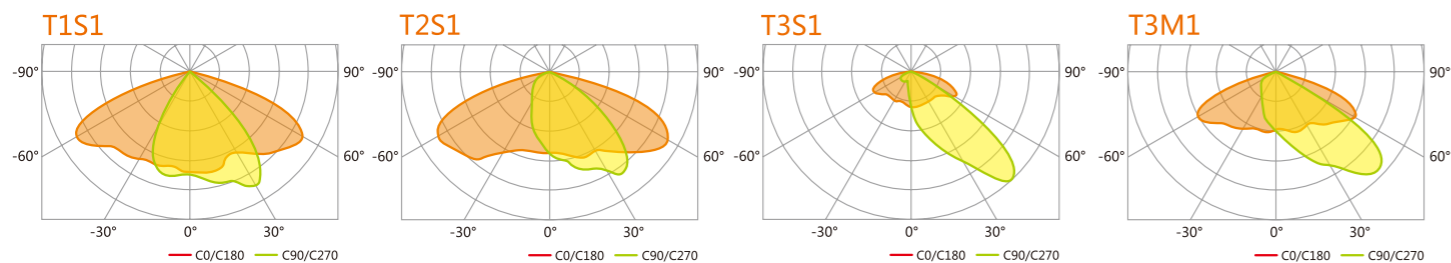
Power-off protection



Surge protection



Φ60mm to Φ48mm



L05A-012AP2.2L

AC180-277V	LED Quantity	Rated Power	Net Weight/Gross Weight	Installation Height	Packing Size	Color Temperature	Luminous Flux
Frequency Range: 50/60Hz	12 pcs	28 W	6.3 kg / 7.1kg	4~6 m	750×365×190mm	3000 K	2757 lm
CRI > 70						4000 K	2964 lm
Power Factor > 0.9						5000 K	3117 lm
INSTL Tube: Φ48/Φ60mm							

L05A-012AP3.3L

AC180-277V	LED Quantity	Rated Power	Net Weight/Gross Weight	Installation Height	Packing Size	Color Temperature	Luminous Flux
Frequency Range: 50/60Hz	12 pcs	40 W	6.3 kg / 7.1kg	4~6 m	750×365×190mm	3000 K	3689 lm
CRI > 70						4000 K	3967 lm
Power Factor > 0.9						5000 K	4173 lm
INSTL Tube: Φ48/Φ60mm							

L05A-024AP1.6L

AC180-277V	LED Quantity	Rated Power	Net Weight/Gross Weight	Installation Height	Packing Size	Color Temperature	Luminous Flux
Frequency Range: 50/60Hz	24 pcs	40 W	6.3 kg / 7.1kg	4~6 m	750×365×190mm	3000 K	4037 lm
CRI > 70						4000 K	4341 lm
Power Factor > 0.9						5000 K	4566 lm
INSTL Tube: Φ48/Φ60mm							

L05A-024AP2.2L

AC180-277V	LED Quantity	Rated Power	Net Weight/Gross Weight	Installation Height	Packing Size	Color Temperature	Luminous Flux
Frequency Range: 50/60Hz	24 pcs	60 W	6.4 kg / 7.2kg	6~8 m	750×365×190mm	3000 K	5643 lm
CRI > 70						4000 K	6067 lm
Power Factor > 0.9						5000 K	6524 lm
INSTL Tube: Φ48/Φ60mm							

L05A-024AP3.3L

AC180-277V	LED Quantity	Rated Power	Net Weight/Gross Weight	Installation Height	Packing Size	Color Temperature	Luminous Flux
Frequency Range: 50/60Hz	24 pcs	80 W	6.5 kg / 7.3kg	8~10 m	750×365×190mm	3000 K	7064 lm
CRI > 70						4000 K	7596 lm
Power Factor > 0.9						5000 K	7989 lm
INSTL Tube: Φ48/Φ60mm							

L05A-036AP1.6L

AC180-277V	LED Quantity	Rated Power	Net Weight/Gross Weight	Installation Height	Packing Size	Color Temperature	Luminous Flux
Frequency Range: 50/60Hz	36 pcs	60 W	6.4 kg / 7.2kg	6~8 m	750×365×190mm	3000 K	6154 lm
CRI > 70						4000 K	6618 lm
Power Factor > 0.9						5000 K	6960 lm
INSTL Tube: Φ48/Φ60mm							

L05A-036AP2.2L

AC180-277V	LED Quantity	Rated Power	Net Weight/Gross Weight	Installation Height	Packing Size	Color Temperature	Luminous Flux
Frequency Range: 50/60Hz	36 pcs	80 W	6.5 kg / 7.3kg	8~10 m	750×365×190mm	3000 K	7678 lm
CRI > 70						4000 K	8255 lm
Power Factor > 0.9						5000 K	8682 lm
INSTL Tube: Φ48/Φ60mm							

L05A-048AP1.6L

AC180-277V	LED Quantity	Rated Power	Net Weight/Gross Weight	Installation Height	Packing Size	Color Temperature	Luminous Flux
Frequency Range: 50/60Hz	48 pcs	80 W	6.5 kg / 7.3kg	8~10 m	750×365×190mm	3000 K	8148 lm
CRI > 70						4000 K	8760 lm
Power Factor > 0.9						5000 K	9169 lm
INSTL Tube: Φ48/Φ60mm							

L05A-048AP2.2L

AC180-277V	LED Quantity	Rated Power	Net Weight/Gross Weight	Installation Height	Packing Size	Color Temperature	Luminous Flux
Frequency Range: 50/60Hz	48 pcs	100 W	6.5 kg / 7.3kg	8~10 m	750×365×190mm	3000 K	9126 lm
CRI > 70						4000 K	9811 lm
Power Factor > 0.9						5000 K	10269 lm
INSTL Tube: Φ48/Φ60mm							

L05A-036AP0.8M

AC180-277V	LED Quantity	Rated Power	Net Weight/Gross Weight	Installation Height	Packing Size	Color Temperature	Luminous Flux
Frequency Range: 50/60Hz	36 pcs	28 W	5.8 kg / 6.8kg	4~6 m	750×365×190mm	3000 K	2753 lm
CRI > 70						4000 K	2958 lm
Power Factor > 0.9						5000 K	3028 lm
INSTL Tube: Φ48/Φ60mm							

L05A-036AP1.1M

AC180-277V	LED Quantity	Rated Power	Net Weight/Gross Weight	Installation Height	Packing Size	Color Temperature	Luminous Flux
Frequency Range: 50/60Hz	36 pcs	40 W	5.8 kg / 6.8kg	4~6 m	750×365×190mm	3000 K	3664 lm
CRI > 70						4000 K	3938 lm
Power Factor > 0.9						5000 K	4130 lm
INSTL Tube: Φ48/Φ60mm							

L05A-072AP0.8M

AC180-277V	LED Quantity	Rated Power	Net Weight/Gross Weight	Installation Height	Packing Size	Color Temperature	Luminous Flux
Frequency Range: 50/60Hz	72 pcs	60 W	5.9 kg / 6.9kg	6~8 m	750×365×190mm	3000 K	5696 lm
CRI > 70						4000 K	6128 lm
Power Factor > 0.9						5000 K	6437 lm
INSTL Tube: Φ48/Φ60mm							

L05A-072AP1.1M

AC180-277V	LED Quantity	Rated Power	Net Weight/Gross Weight	Installation Height	Packing Size	Color Temperature	Luminous Flux
Frequency Range: 50/60Hz	72 pcs	80 W	6.0 kg / 7.0kg	8~10 m	750×365×190mm	3000 K	7065 lm
CRI > 70						4000 K	7592 lm
Power Factor > 0.9						5000 K	7992 lm
INSTL Tube: Φ48/Φ60mm							

L05A-108AP0.8M

AC180-277V	LED Quantity	Rated Power	Net Weight/Gross Weight	Installation Height	Packing Size	Color Temperature	Luminous Flux
Frequency Range: 50/60Hz	108 pcs	80 W	6.0 kg / 7.0kg	8~10 m	750×365×190mm	3000 K	7729 lm
CRI > 70						4000 K	8308 lm
Power Factor > 0.9						5000 K	8734 lm
INSTL Tube: Φ48/Φ60mm							

L05A-108AP1.1M

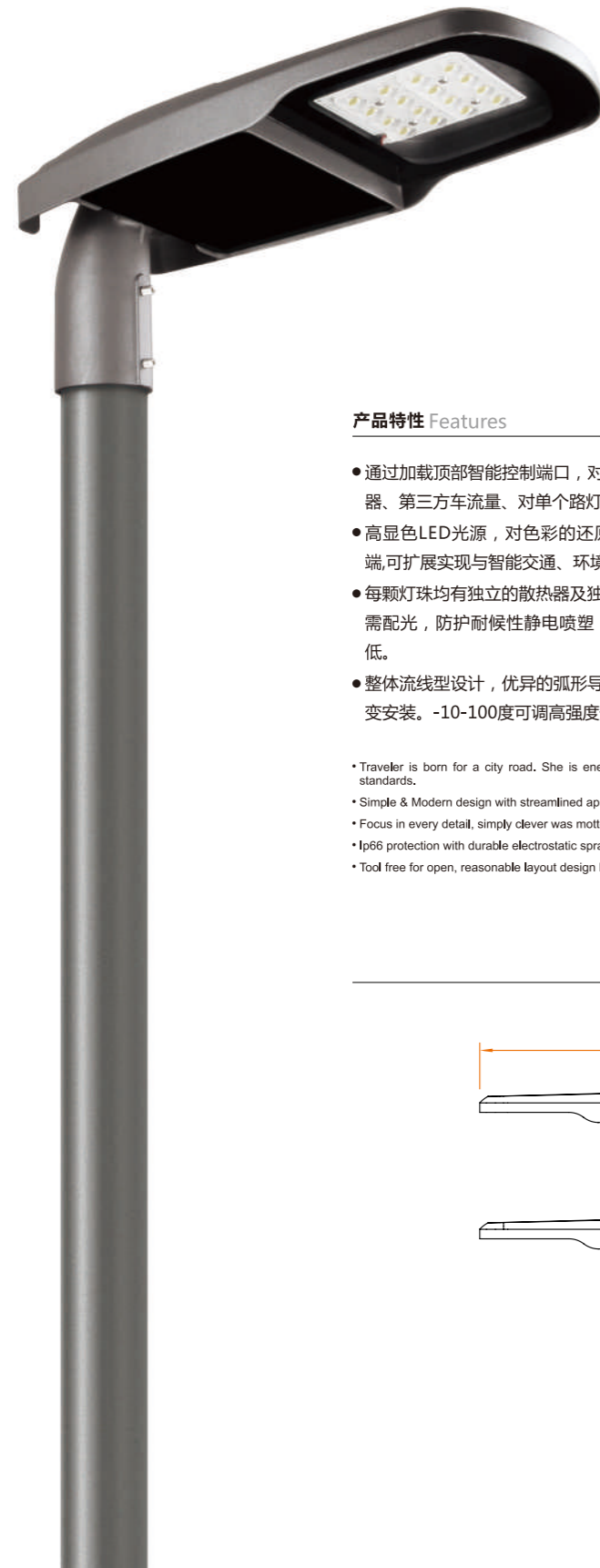
AC180-277V	LED Quantity	Rated Power	Net Weight/Gross Weight	Installation Height	Packing Size	Color Temperature	Luminous Flux
Frequency Range: 50/60Hz	108 pcs	100 W	6.0 kg / 7.0kg	8~10 m	750×365×190mm	3000 K	9087 lm
CRI > 70						4000 K	9771 lm
Power Factor > 0.9						5000 K	10279 lm
INSTL Tube: Φ48/Φ60mm							

L05A-144AP0.5M

AC180-277V	LED Quantity	Rated Power	Net Weight/Gross Weight	Installation Height	Packing Size	Color Temperature	Luminous Flux
Frequency Range: 50/60Hz	144 pcs	80 W	6.0 kg / 7.0kg	8~10 m	750×365×190mm	3000 K	8424 lm
CRI > 70						4000 K	9066 lm
Power Factor > 0.9						5000 K	9527 lm
INSTL Tube: Φ48/Φ60mm							

L05A-144AP0.8M

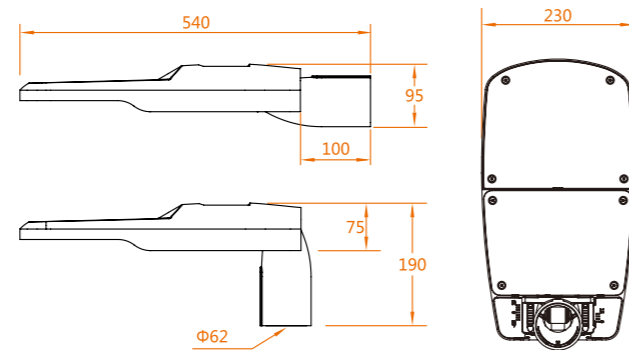
AC180-277V	LED Quantity	Rated Power	Net Weight/Gross Weight	Installation Height	Packing Size	Color Temperature	Luminous Flux
Frequency Range: 50/60Hz	144 pcs	100 W	6.0 kg / 7.0kg	8~10 m	750×365×190mm	3000 K	9561 lm
CRI > 70						4000 K	10277 lm
Power Factor > 0.9						5000 K	10815 lm
INSTL Tube: Φ48/Φ60mm							



产品特性 Features

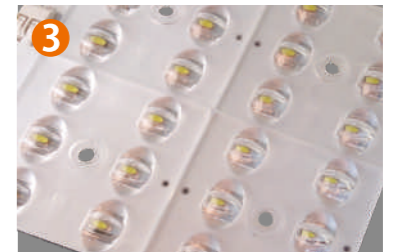
- 通过加载顶部智能控制端口，对每一盏路灯实现智能化感知控制，亮度传感器、第三方车流量、对单个路灯进行精确控制按需照明。
- 高显色LED光源，对色彩的还原度较大的提高,5万小时的长寿命。智能终端,可扩展实现与智能交通、环境监控，城市治理全方位联动。
- 每颗灯珠均有独立的散热器及独立的供电；IP66级的密封工艺，一步实现所需配光，防护耐候性静电喷塑，适合残酷户外应用环境。重量轻、故障率低。
- 整体流线型设计，优异的弧形导流一体化散热设计，竖向、横向多种角度可变安装。-10-100度可调高强度安装灯杆。

- Traveler is born for a city road. She is energy-saving lamp products which comply with road lighting standards.
- Simple & Modern design with streamlined appearance make lamps corresponding with the city.
- Focus in every detail, simply clever was motto for our team.
- Ip66 protection with durable electrostatic spray which apply to harsh outdoor applications
- Tool free for open, reasonable layout design brings simple maintenance.

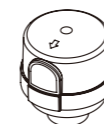


1. 流线形散热设计，散热效果好，导尘能力强。
2. 直角可调角度为0°,+5°,+10°,+15°；水平可调角度为-10°,-5°,0°,+5°,+10°,+15°。
3. 组合式光学镜头，各种光学特性适用于各种道路照明要求。

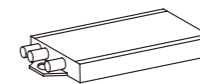
- 1.Arc shape cooling guide design result in effective heat dissipation and excellent guide dust removal ability.
- 2.Tilt Angle is 0°,+5°,+10°,+15° for post-top and -10°, -5°,0°,+5°,+10°,+15° for bracket.
- 3.Combined optical lens, a wide variety of optics feature apply to kinds of road lighting requirements.



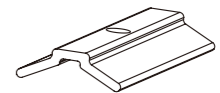
可选配件 Optional accessories



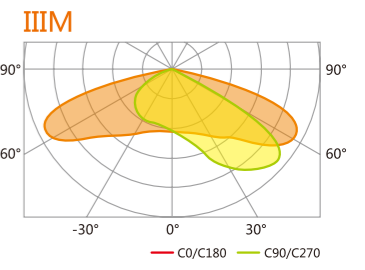
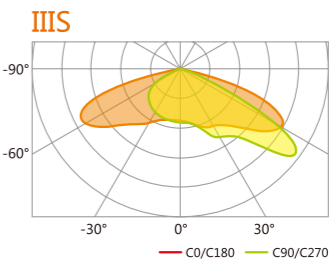
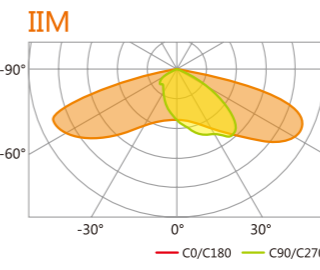
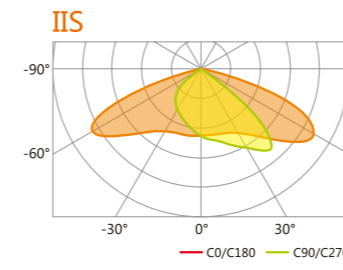
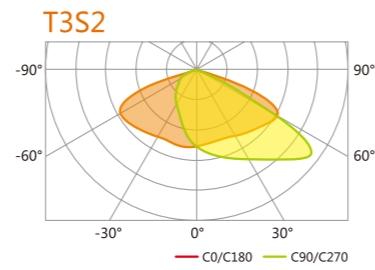
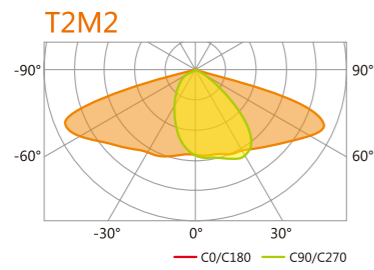
Photocell



Surge protection



Φ60mm to Φ48mm



L05B-012AP1.6L

AC180-277V	LED Quantity	Rated Power	Net Weight/Gross Weight	Installation Height	Packing Size	Color Temperature	Luminous Flux
Frequency Range: 50/60Hz						3000 K	1918 lm
CRI > 70	12 pcs	20 W	3.4 kg / 3.8 kg	4~6 m	585×280×120mm	4000 K	2062 lm
Power Factor > 0.9						5000 K	2169 lm
INSTL Tube: Φ48/Φ60mm							

L05B-012AP2.2L

AC180-277V	LED Quantity	Rated Power	Net Weight/Gross Weight	Installation Height	Packing Size	Color Temperature	Luminous Flux
Frequency Range: 50/60Hz						3000 K	2756 lm
CRI > 70	12 pcs	28 W	3.4 kg / 3.8 kg	4~6 m	585×280×120mm	4000 K	2964 lm
Power Factor > 0.9						5000 K	3117 lm
INSTL Tube: Φ48/Φ60mm							

L05B-018AP1.6L

AC180-277V	LED Quantity	Rated Power	Net Weight/Gross Weight	Installation Height	Packing Size	Color Temperature	Luminous Flux
Frequency Range: 50/60Hz						3000 K	3007 lm
CRI > 70	18 pcs	30 W	3.4 kg / 3.8 kg	4~6 m	585×280×120mm	4000 K	3235 lm
Power Factor > 0.9						5000 K	3404 lm
INSTL Tube: Φ48/Φ60mm							

L05B-018AP2.2L

AC180-277V	LED Quantity	Rated Power	Net Weight/Gross Weight	Installation Height	Packing Size	Color Temperature	Luminous Flux
Frequency Range: 50/60Hz						3000 K	3967 lm
CRI > 70	18 pcs	40 W	3.5 kg / 3.9 kg	4~6 m	585×280×120mm	4000 K	4259 lm
Power Factor > 0.9						5000 K	4490 lm
INSTL Tube: Φ48/Φ60mm							

L05B-024AP1.6L

AC180-277V	LED Quantity	Rated Power	Net Weight/Gross Weight	Installation Height	Packing Size	Color Temperature	Luminous Flux
Frequency Range: 50/60Hz						3000 K	4038 lm
CRI > 70	24 pcs	40 W	3.5 kg / 3.9 kg	4~6 m	585×280×120mm	4000 K	4344 lm
Power Factor > 0.9						5000 K	4571 lm
INSTL Tube: Φ48/Φ60mm							

L05B-024AP2.2L

AC180-277V	LED Quantity	Rated Power	Net Weight/Gross Weight	Installation Height	Packing Size	Color Temperature	Luminous Flux
Frequency Range: 50/60Hz						3000 K	5505 lm
CRI > 70	24 pcs	55 W	3.5 kg / 3.9 kg	4~6 m	585×280×120mm	4000 K	5923 lm
Power Factor > 0.9						5000 K	6232 lm
INSTL Tube: Φ48/Φ60mm							

L05B-024AP0.8M

AC180-277V	LED Quantity	Rated Power	Net Weight/Gross Weight	Installation Height	Packing Size	Color Temperature	Luminous Flux
Frequency Range: 50/60Hz						3000 K	1942 lm
CRI > 70	24 pcs	20 W	3.4 kg / 3.8 kg	4~6 m	585×280×120mm	4000 K	2090 lm
Power Factor > 0.9						5000 K	2142 lm
INSTL Tube: Φ48/Φ60mm							

L05B-024AP1.1M

AC180-277V	LED Quantity	Rated Power	Net Weight/Gross Weight	Installation Height	Packing Size	Color Temperature	Luminous Flux
Frequency Range: 50/60Hz						3000 K	2564 lm
CRI > 70	24 pcs	28 W	3.4 kg / 3.8 kg	4~6 m	585×280×120mm	4000 K	2753 lm
Power Factor > 0.9						5000 K	2889 lm
INSTL Tube: Φ48/Φ60mm							

L05B-036AP0.8M

AC180-277V	LED Quantity	Rated Power	Net Weight/Gross Weight	Installation Height	Packing Size	Color Temperature	Luminous Flux
Frequency Range: 50/60Hz						3000 K	2856 lm
CRI > 70	36 pcs	28 W	3.4 kg / 3.8 kg	4~6 m	585×280×120mm	4000 K	3073 lm
Power Factor > 0.9						5000 K	3305 lm
INSTL Tube: Φ48/Φ60mm							

L05B-036AP1.1M

AC180-277V	LED Quantity	Rated Power	Net Weight/Gross Weight	Installation Height	Packing Size	Color Temperature	Luminous Flux
Frequency Range: 50/60Hz						3000 K	3664 lm
CRI > 70	36 pcs	40 W	3.5 kg / 3.9 kg	4~6 m	585×280×120mm	4000 K	3938 lm
Power Factor > 0.9						5000 K	4130 lm
INSTL Tube: Φ48/Φ60mm							

L05B-048AP0.8M

AC180-277V	LED Quantity	Rated Power	Net Weight/Gross Weight	Installation Height	Packing Size	Color Temperature	Luminous Flux
Frequency Range: 50/60Hz						3000 K	3869 lm
CRI > 70	24 pcs	40 W	3.5 kg / 3.9 kg	4~6 m	585×280×120mm	4000 K	4159 lm
Power Factor > 0.9						5000 K	4367 lm
INSTL Tube: Φ48/Φ60mm							

L05B-048AP1.1M

AC180-277V	LED Quantity	Rated Power	Net Weight/Gross Weight	Installation Height	Packing Size	Color Temperature	Luminous Flux
Frequency Range: 50/60Hz						3000 K	5275 lm
CRI > 70	24 pcs	55 W	3.5 kg / 3.9 kg	4~6 m	585×280×120mm	4000 K	5670 lm
Power Factor > 0.9						5000 K	5948 lm
INSTL Tube: Φ48/Φ60mm							



Controller 控制器





ORJ-318D 单机主控

输入电压 Input Voltage	AC 220V
额定功率 Rated Power	15 W
长*宽*高(cm) Size(cm)	23.6×13.5×4.5
固定孔间距 Fixed Hole Pitch	7.5cm; 21.85cm

产品特性 Features

控制器输出支持标准USITT DMX512/1990 通用协议和扩展DMX 协议；

- 系统支持自动，定时，节日预设效果播放；
- 精准伽马矫正算法，更加符合人体视觉感光特性，显示色彩更充分，丰富！使设计者动画或视频效果完美体现；
- 最大支持120 换帧频率以保证画面高清显示和3D显示需求；
- 控制器带按键和外配遥控器，可实现节目片段选择、整体亮度调整、白平衡调整、播放速度调整等；
- LCD 显示模块及时显示控制器参数及状态；
- 支持四色灯具：节能环保，色彩纯正；
- 8 端口输出，单口输出标准512 通道，扩展协议带载点数由客户根据芯片特性自行测试；
- SD 卡存储，控制器最大可支持32G，最多可预设99 个节目文件；
- 支持远程在线下载、更新脱机节目；
- 内置动画测试程序，方便客户在项目调试和应用。

ORJ-308D is an on- and off-line controller, with 8 output ports, each of which has a maximum load of 170 points, and is controlled by single set without cascade connection. With SD card storage and remote control unit equipped, it can realize off-line set-time play, section playing selection, whole brightness control, white balance adjustment, play speed adjustment, built-in animation test program and RGBW lighting control. All these meet requirements of customers greatly in application and debugging.

Controller output supports standard USITT DMX512/1990 general protocol and extended DMX protocol.

- System support automatic, timing, festival preset effect playback;
- Precision gamma correction algorithm, more in line with the human visual sensitivity characteristics, showing a more colorful, rich! To make the designer animation or video effect perfect embodiment;
- Maximum support for the 120 frame frequency to ensure that the screen high-definition display and 3D display needs;
- Controller with buttons and remote control, the program can be selected, the overall brightness adjustment, white balance adjustment, playback speed adjustment;
- LCD display module display controller parameters and status in time;
- Support four color lamps: energy saving and environmental protection, pure color;
- Eight output ports, port output standard 512 channel extension protocol with load points by the customer according to the characteristics of self testing chip;
- SD card storage, the controller can support 32G, up to 99 program files can be preset;
- Support remote online download, update offline program;
- Built in animation test procedures to facilitate customer debugging and application in the project.



ORJ-502K 单机主控

输入电压 Input Voltage	DC 7~32V
额定功率 Rated Power	2W
长*宽*高(cm) Size(cm)	190×96.3×62.5
固定孔间距 Fixed Hole Pitch	17.5cm

产品特性 Features

- 32-65536级灰度控制，可真实还原图像色彩和细节；
- 可接收DMX512信号来选择控制器的场景文件进行播放，如灯控台等第三方标准DMX512设备，第N通道满值选择第N场景，如N通道与N+X通道皆为满值，则选择N+X场景。
- 采用按键设置控制器参数，如驱动芯片类型、控制器编号、节目片段、播放速度、灯具亮度；
- LCD显示模块及时显示控制器参数及状态；
- 支持遥控器设置控制器参数，如驱动芯片类型、控制器编号、节目片段、播放速度及跳帧频率、灯具亮度及开关机时间；
- 支持SD卡存储动画数据，方便快捷；
- 节目片段可独立设置年、月、日、时间及星期定时播放；
- 控制器输出具备2端口SPI信号输出和2端口DMX512信号输出；
- 支持对MR-DMX05、DMX512AP、UCS512等DMX512解码芯片的编址功能；

- 32-65536 gray level control, can restore images, colors and details;
- Can choose the controller scene files to receive DMX512 signals, such as lamp control table and three party standard DMX512 equipment, the N channel full value at N scene, such as N channel and N+X channel are full of value, select the N+X scene.
- Use the button to set the controller parameters, such as driver chip type, controller number, program fragment, playback speed, lamp brightness;
- The LCD display module displays the parameters and status of the controller in time;
- Remote controller parameter setting, such as drive controller chip type, number, show clips, playback speed and jump frequency, and the lamp brightness switch time;
- SD card to support the storage of animation data, convenient and quick;
- Program fragments can be set independently, year, month, day, time and week, regular play;
- The controller output has 2 port SPI signal output and 2 port DMX512 signal output;
- Support for MR-DMX05, DMX512AP, UCS512 and other DMX512 decoder chip addressing function;



ORJ-SD50 脱机主控



产品特性 Features

ORJ-SD50可作为脱机主控控制器，脱机可带12万点，SD卡存储，外配遥控器，可实现脱机定时播放、播放片段选择、整体亮度调整、白平衡调整、播放速度调整、内置动画测试程序、RGBW四色灯具控制等功能，极大满足了客户在应用及调试中的多种需求。

ORJ-SD50, used as an off-line master controller, has a load of 120,000 points with SD card storage and a remote control unit equipped. It realizes off-line set-time play, section playing selection, whole brightness control, white balance adjustment, play speed adjustment, built-in animation test program and RGBW lighting control. All these meet requirements of customers greatly in application and debugging.

输入电压 Input Voltage	AC 220V
额定功率 Rated Power	15 W
长*宽*高(cm) Size(cm)	23.6×13.5×4.5
固定孔间距 Fixed Hole Pitch	7.5cm; 21.85cm



ORJ-980D 分控

Input Voltage 输入电压	AC 220V
Rated Power 额定功率	15 W
Size(cm) 长*宽*高(cm)	23.6×13.5×4.5
Fixed Hole Pitch 固定孔间距	7.5cm; 21.85cm



产品特性 Features

- 32-65536级灰度控制，可真实还原图像色彩和细节；
- 512级三基色独立亮度控制，使精确调整白平衡更加简单有效；
- 根据人的生理视觉特性调整的硬件反伽马校正功能；
- 100Hz刷新率可保证画面的稳定；
- 采用以太网接口和UDP网络协议，传输距离最大为100米；
- 显示模块及时显示控制器参数及状态；
- 控制器输出兼容TTL电平信号和差分信号双模式；
- 多种芯片控制集于一体，通过软件设置更改控制芯片类型、时钟频率、OE周期、占空比、灰度级等参数；
- 双网络接口，可以实现控制器间级联；控制器自动检测，软件直观显示连接状态；
- 持512驱动芯片联机编址支持512类型：DMX12AP,UCS512;SM16512;SM16511;UCS512C;UCS512C4;TM512;WS2821;DMX512X;
- 每端口可驱动1024点，3072通道；
- 8端口独立输出，每个端口都是隔离的。

- 32-65536 level control, can restore the true color and detail image;
- 512 level tricolor independent brightness control, accurate white balance adjustment is more simple and effective;
- Adjusted according to the physiological characteristics of human visual hardware inverse gamma correction function;
- The 100Hz refresh rate can ensure the stability of the picture;
- Adopt the Ethernet interface and UDP network protocol, the maximum transmission distance is 100 meters;
- The display module can display controller parameters and the state;
- The controller output is compatible with TTL signal and differential signal dual mode;
- The multi chip control set in one, set up by the software control chip type, OE clock frequency, period, duty ratio, gray level and other parameters change;
- Double network interface, can realize the controller controller cascade; automatic detection, display connection status;
- The 512 driver online addressing support 512 types: DMX12AP, UCS512; SM16512; SM16511; UCS512C; UCS512C4; TM512; WS2821; DMX512X;
- Each port can drive 1024, 3072 channel;
- The 8 independent output port, each port is isolated.



DMXRP-A 放大器 Signal amplifier

产品特性 Features

- 兼容国际标准DMX512 (1990) 协议；
- 信号前后光电隔离（采用夏普高速光耦和隔离电源）；
- TI原厂485IC，防雷防静电；
- 内置MCU修正波形，彻底解决信号问题；
- 良好的抗干扰性，具有故障自恢复功能；
- 配合控制系统 实现更多丰富多彩效果。

- compatible with the international standard DMX512 protocol (1990);
- The signal after photoelectric isolation (using SHARP high-speed optocoupler and isolated power supply);
- The original TI 485IC, lightning and static electricity protection;
- The built-in MCU waveform correction, completely solve the problem of signal;
- good anti-interference, fault self recovery function;
- The control system to achieve more rich and colorful effect.

电源输入 Power input	DC12-24V
最大功率 maximum power	< 5W
隔离电压 Isolation voltage	1KV
输出负载 Output load	128个节点
防护等级 Protection grade	IP67
工作温度 working temperature	-20°--80°
传输信号 Transmission signal	RS485
产品尺寸 Product size	L125*W30*H20mm



M18四芯延长线 M18 four core extension cord



M18四芯三通线 M18 four core three pass



M12二芯延长线 M12 two core extension cord



M18二芯信号线 M18 two core signal line



M12母头线 M12 Female



M12公头线 M12 Male



M18公头线 M18 Female



M18母头线 M18 Male





杭州滨江-阿里中心





